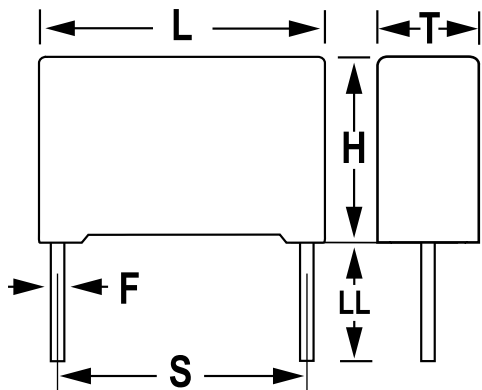


KEMET Part Number: PHE850EB5470MB14R17
(F850BV473M300A)

PHE850/F850, Film, Metallized Polypropylene, Safety, 0.047 uF, 20%, 300 VAC (Y2), 1250 VDC, 110C, Lead Spacing = 15mm



General Information	
Supplier:	KEMET
Series:	PHE850/F850
Dielectric:	Metallized Polypropylene
Style:	Radial
Features:	EMI Safety
RoHS:	Yes
Lead:	Wire Leads
Qualifications:	ENEC, UL, cUL
Notes:	Not For New Design, Please Check Possible Alternative Parts (AltPart)

Dimensions	
L	18mm MAX
H	17.5mm MAX
T	9.5mm MAX
S	15mm +/-0.4mm
LL	17mm NOM
F	0.8mm NOM

Specifications	
Capacitance:	0.047 uF
Capacitance Tolerance:	20%
Voltage AC:	300 VAC (Y2)
Voltage DC:	1250 VDC
Temperature Range:	-55/+110C
Rated Temperature:	110C
Dissipation Factor:	0.15% 1kHz, 0.20% 10kHz, 0.60% 100kHz
Insulation Resistance:	30 GOhms
Max dV/dt:	100 V/us
Safety Class:	Y2

Packaging Specifications	
Packaging:	Bulk, Bag
Packaging Quantity:	300