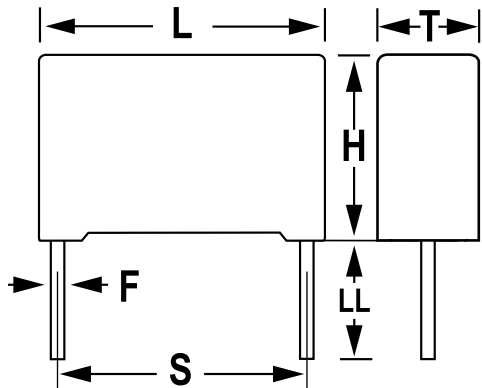


R47\_X2\_440, Film, Metallized Polypropylene, Safety, 0.47 uF, 10%, 440 VAC (X2), 1000 VDC, 110C, Lead Spacing = 27.5mm



**Dimensions**

L	32mm +0.3mm
H	22mm +0.1mm
T	13mm +0.2mm
S	27.5mm +/-0.4mm
LL	25mm +2/-1mm
F	0.8mm +/-0.05mm

**Packaging Specifications**

Packaging:	Tray
Packaging Quantity:	288

**General Information**

Supplier:	KEMET
Series:	R47_X2_440
Dielectric:	Metallized Polypropylene
Style:	Radial
Features:	EMI Safety
RoHS:	Yes
Lead:	Wire Leads
Qualifications:	ENEC, UL, cUL

**Specifications**

Capacitance:	0.47 uF
Capacitance Tolerance:	10%
Voltage AC:	440 VAC (X2)
Voltage DC:	1000 VDC
Temperature Range:	-40/+110C
Rated Temperature:	110C
Dissipation Factor:	0.10% 1kHz
Insulation Resistance:	63.8298 GOhms
Max dV/dt:	225 V/us
Safety Class:	X2