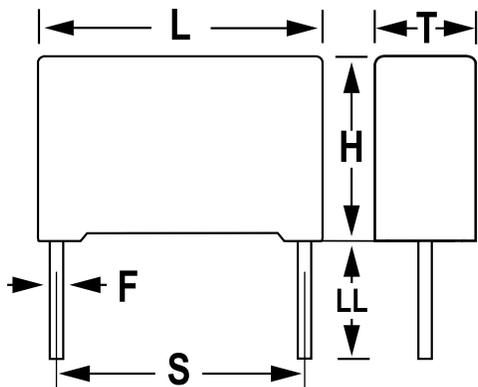


R47_X1, Film, Metallized Polypropylene, Safety, 2.2 uF, 10%, 440 VAC (X1), 1000 VDC, 110C, Lead Spacing = 37.5mm



Dimensions

L	41.5mm +0.3mm
H	40mm +0.1mm
T	20mm +0.3mm
S	37.5mm +/-0.4mm
LL	25mm +2/-1mm
F	1mm +/-0.05mm

Packaging Specifications

Packaging:	Bulk, Bag
Packaging Quantity:	84

General Information

Supplier:	KEMET
Series:	R47_X1
Dielectric:	Metallized Polypropylene
Style:	Radial
Features:	EMI Safety
RoHS:	Yes
Lead:	Wire Leads
Qualifications:	ENEC, UL, cUL

Specifications

Capacitance:	2.2 uF
Capacitance Tolerance:	10%
Voltage AC:	440 VAC (X1)
Voltage DC:	1000 VDC
Temperature Range:	-40/+110C
Rated Temperature:	110C
Dissipation Factor:	0.10% 1kHz
Insulation Resistance:	13.6364 GOhms
Max dV/dt:	150 V/us
Safety Class:	X1