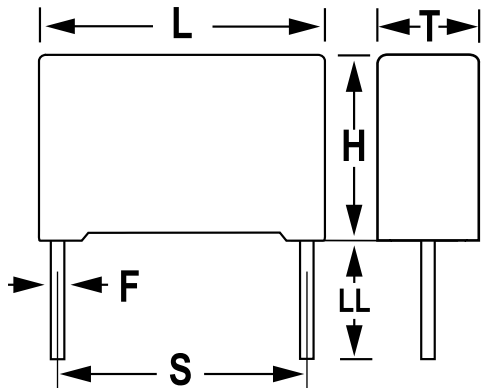


R49, Film, Metallized Polypropylene, Safety, 0.1 uF, 10%, 330 VAC (X1), 800 VDC, 110C, Lead Spacing = 15mm



Dimensions

L	18mm +0.3mm
H	17.5mm +0.1mm
T	6mm +0.2mm
S	15mm +/-0.4mm
LL	25mm +2/-1mm
F	0.6mm +/-0.05mm

Packaging Specifications

Packaging:	Bulk, Bag
Packaging Quantity:	700

General Information

Supplier:	KEMET
Series:	R49
Dielectric:	Metallized Polypropylene
Style:	Radial
Features:	EMI Safety
RoHS:	Yes
Lead:	Wire Leads
Qualifications:	ENEC, UL, cUL

Specifications

Capacitance:	0.1 uF
Capacitance Tolerance:	10%
Voltage AC:	330 VAC (X1)
Voltage DC:	800 VDC
Temperature Range:	-40/+110C
Rated Temperature:	110C
Dissipation Factor:	0.10% 1kHz
Insulation Resistance:	100 GOhms
Max dV/dt:	500 V/us
Safety Class:	X1