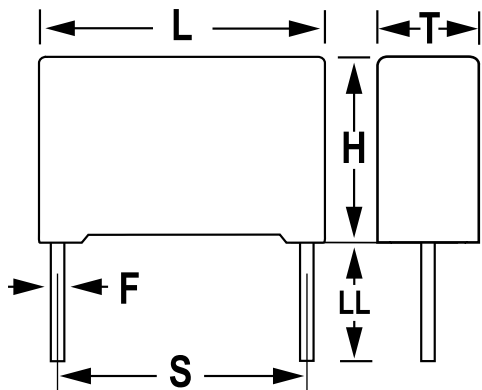


**KEMET Part Number: PHE844RR7150MR06L2**  
 (F844RM155M440C, PHE844RR7150MR03R06L2)

PHE844/F844, Film, Metallized Polypropylene, Safety, 1.5 uF, 20%, 440 VAC (Y1) (ENEC), 480 VAC (UL, cUL), 1000 VDC, 105C, Lead Spacing = 37.5mm



| General Information |                          |
|---------------------|--------------------------|
| Supplier:           | KEMET                    |
| Series:             | PHE844/F844              |
| Dielectric:         | Metallized Polypropylene |
| Style:              | Radial                   |
| Features:           | EMI Safety               |
| RoHS:               | Yes                      |
| Lead:               | Wire Leads               |
| Qualifications:     | ENEC, UL, cUL            |
| Miscellaneous:      | ClimCat: 40/105/56/B     |

| Dimensions |                 |
|------------|-----------------|
| L          | 41mm MAX        |
| H          | 36mm MAX        |
| T          | 19mm MAX        |
| S          | 37.5mm +/-0.5mm |
| LL         | 6mm -1mm        |
| F          | 1mm +/-0.05mm   |

| Specifications         |  |
|------------------------|--|
| Capacitance:           | 1.5 uF                                 |
| Capacitance Tolerance: | 20%                                    |
| Voltage AC:            | 440 VAC (Y1) (ENEC), 480 VAC (UL, cUL) |
| Voltage DC:            | 1000 VDC                               |
| Temperature Range:     | -40/+105C                              |
| Rated Temperature:     | 105C                                   |
| Dissipation Factor:    | 0.10% 1kHz, 0.80% 10kHz                |
| Insulation Resistance: | 6.6667 GOhms                           |
| Max dV/dt:             | 100 V/us                               |
| Safety Class:          | X1                                     |

| Packaging Specifications |            |
|--------------------------|------------|
| Packaging:               | Bulk, Tray |
| Packaging Quantity:      | 91         |