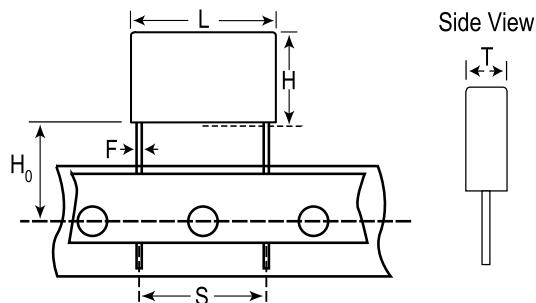


**KEMET Part Number: PME271Y415MR19T1**  
(P271HE152M250P)

PME271Y/P271, Film, Metallized Paper, Safety, 1500 pF, 20%, 250 VAC (Y2), 1000 VDC, 100C, Lead Spacing = 10.2mm



General Information	
Supplier:	KEMET
Series:	PME271Y/P271
Dielectric:	Metallized Paper
Style:	Radial
Features:	EMI Safety
RoHS:	Yes
Lead:	Wire Leads
Qualifications:	ENEC, UL, cUL, CQC
Construction:	Molded
Miscellaneous:	SRF= 44 MHz

Dimensions	
L	13.5mm MAX
H	7.5mm MAX
T	3.9mm MAX
S	10.2mm +/-0.4mm
H0	18.5mm +/-0.5mm
F	0.6mm +/-0.05mm

Specifications	
Capacitance:	1500 pF
Capacitance Tolerance:	20%
Voltage AC:	250 VAC (Y2)
Voltage DC:	1000 VDC
Temperature Range:	-40/+100C
Rated Temperature:	100C
Dissipation Factor:	1.3% 1kHz
Insulation Resistance:	12 GOhms
Max dV/dt:	2000 V/us
Safety Class:	Y2

Packaging Specifications	
Packaging:	T&R, Large
Packaging Quantity:	1400