



C14



70° C



Description

- Panel Mount:
- Snap-in or screw-on mounting from front side
- 2 Functions:
- Inlet Protection class I, Line filter in standard and medical version
- Quick connect terminals 6.3 x 0.8 mm

Approvals

- VDE License Number: 117118
- UL License Number: E72928

Characteristics

- Ultra-compact design
- All single elements are already wired
- Qualified for use in equipment according IEC/EN 60950

Other versions on request

- Capacity CX 100 nF
- Medical version M80

Weblinks

Approvals: <http://www.schurter.com/approvals>
 RoHS: <http://www.schurter.com/rohs>

Technical Data

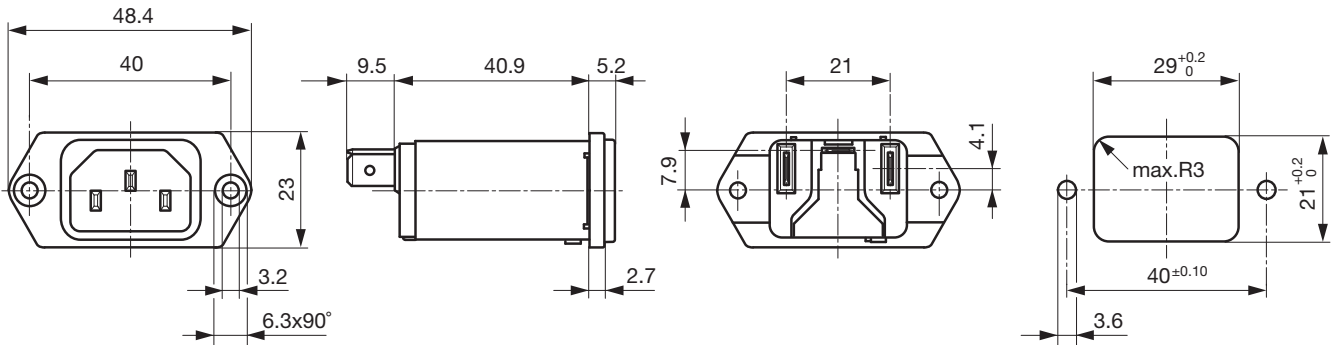
Ratings IEC	1 - 10 A @ Ta 40 °C / 250 VAC; 50 Hz
Ratings UL/CSA	1 - 15 A @ Ta 40 °C / 125 VAC; 60 Hz
Leakage Current	standard < 0.5 mA (250 V / 60 Hz) medical < 5 µA (250 V / 60 Hz)
Dielectric Strength	> 1.7 kVDC between L-N > 2.7 kVDC between L/N-PE Test voltage (2 sec)
Allowable Operation Temp.	-25 °C to 85 °C
Climatic Category	25/085/21 acc. to, IEC 60068-1
Degree of Protection	from front side IP 40 acc. to IEC 60529
Protection Class	Suitable for appliances with protection class I acc. to IEC 61140
Terminal	Quick connect terminals 6.3 x 0.8 mm
Panel Thickness s	Screw-on: max 5 mm Mounting screw torque max 0.5 Nm Snap-in: 0.8 mm to 3 mm
Material: Housing	Thermoplastic, black, UL 94V-0

Appliance-Inlet /-Outlet	C14 acc. to IEC/EN 60320-1, UL 498, CSA C22.2 no. 42 (for cold condition) pin-temperature 70 °C, 10 A, Protection class I
Line Filter	Standard and Medical Version, IEC 60939, IEC 60601-1, UL 1283, UL 544, EN 133 200, CSA C22.2 no. 8 Technical details
MTBF	> 3'100'000 h acc. to MIL-HB-217 F

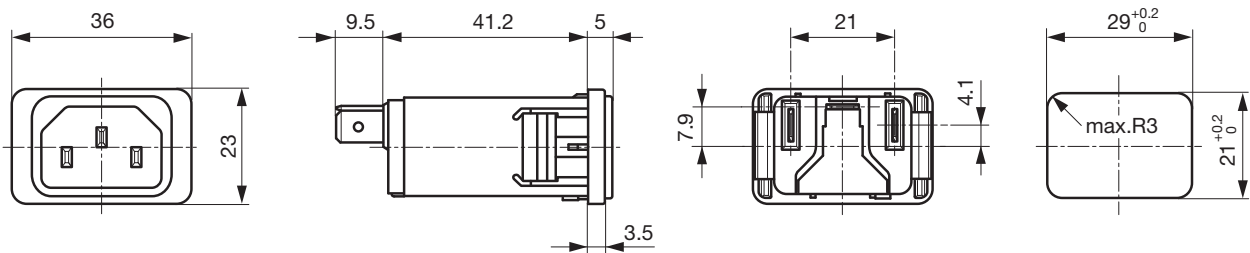
Dimensions

Screw-on mounting

Length 55.6 mm



Snap-in mounting



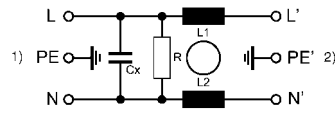
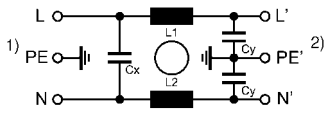
Technical Data of Filter-Components

Rated Current [A]	Filter-Type	Inductances	Capactance	Capactance	R [MΩ]
		L [mH]	CX [nF]	CY [nF]	
1	Standard Version	2 x 11	47	2.2	-
2	Standard Version	2 x 4	47	2.2	-
3	Standard Version	2 x 2.5	47	2.2	-
4	Standard Version	2 x 1.6	47	2.2	-
6	Standard Version	2 x 0.7	47	2.2	-
8	Standard Version	2 x 0.6	47	2.2	-
10	Standard Version	2 x 0.4	47	2.2	-
15	Standard Version	2 x 0.1	47	2.2	-
1	Medical Version (M5)	2 x 11	47	-	1
2	Medical Version (M5)	2 x 4	47	-	1
3	Medical Version (M5)	2 x 2.5	47	-	1
4	Medical Version (M5)	2 x 1.6	47	-	1
6	Medical Version (M5)	2 x 0.7	47	-	1
8	Medical Version (M5)	2 x 0.6	47	-	1
10	Medical Version (M5)	2 x 0.4	47	-	1
15	Medical Version (M5)	2 x 0.1	47	-	1

Diagrams

Standard version

Medical version



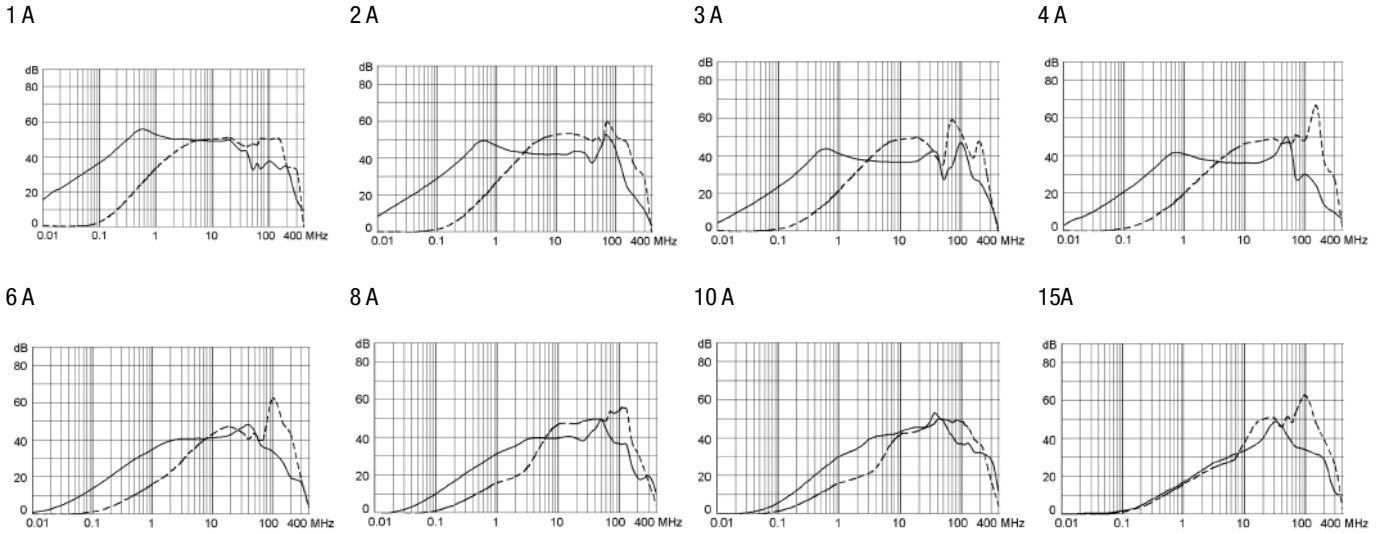
1) Line
2) Load

1) Line
2) Load

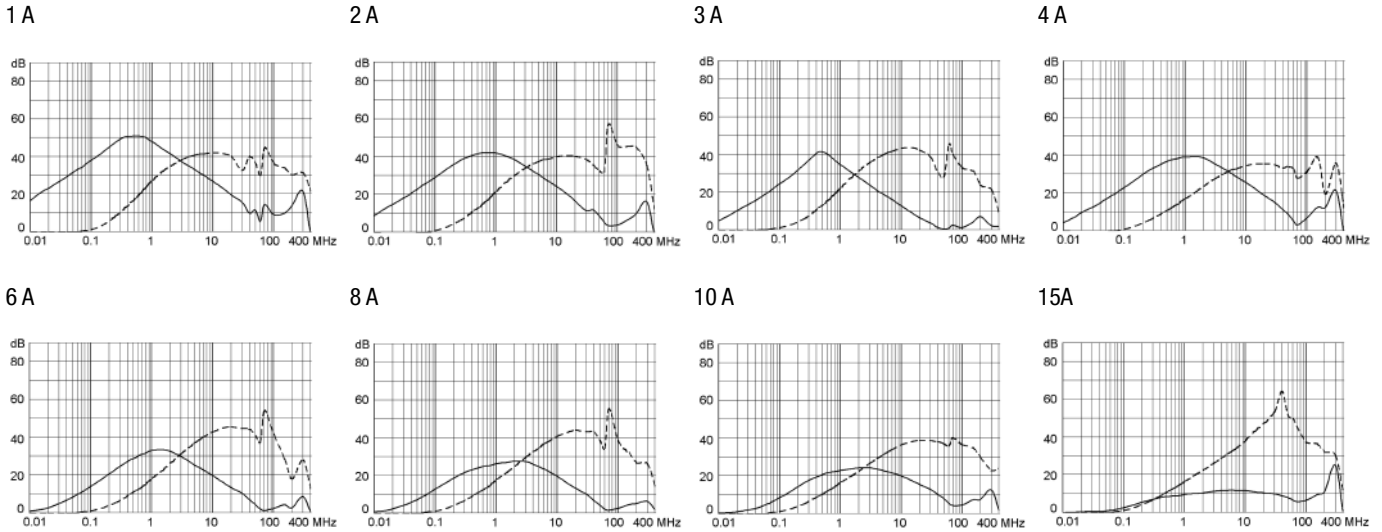
Attenuation loss

- - - differential mode ____ common mode

Standard version



Medical version (M5)



Variants

Rated Current [A]	Filter-Type	Panel mounting	Order Number
1	Standard Version	Snap-in	5110.0143.1
2	Standard Version	Snap-in	5110.0243.1
3	Standard Version	Snap-in	5110.0343.1
4	Standard Version	Snap-in	5110.0443.1
6	Standard Version	Snap-in	5110.0643.1
8	Standard Version	Snap-in	5110.0843.1
10	Standard Version	Snap-in	5110.1043.1
15	Standard Version	Snap-in	5110.1543.1
1	Standard Version	Screw-on	5110.0133.1
2	Standard Version	Screw-on	5110.0233.1
3	Standard Version	Screw-on	5110.0333.1
4	Standard Version	Screw-on	5110.0433.1
6	Standard Version	Screw-on	5110.0633.1
8	Standard Version	Screw-on	5110.0833.1
10	Standard Version	Screw-on	5110.1033.1
15	Standard Version	Screw-on	5110.1533.1
1	Medical Version (M5)	Snap-in	5110.0143.3
2	Medical Version (M5)	Snap-in	5110.0243.3
3	Medical Version (M5)	Snap-in	5110.0343.3
4	Medical Version (M5)	Snap-in	5110.0443.3
6	Medical Version (M5)	Snap-in	5110.0643.3
8	Medical Version (M5)	Snap-in	5110.0843.3
10	Medical Version (M5)	Snap-in	5110.1043.3
15	Medical Version (M5)	Snap-in	5110.1543.3
1	Medical Version (M5)	Screw-on	5110.0133.3
2	Medical Version (M5)	Screw-on	5110.0233.3
3	Medical Version (M5)	Screw-on	5110.0333.3
4	Medical Version (M5)	Screw-on	5110.0433.3
6	Medical Version (M5)	Screw-on	5110.0633.3
8	Medical Version (M5)	Screw-on	5110.0833.3
10	Medical Version (M5)	Screw-on	5110.1033.3
15	Medical Version (M5)	Screw-on	5110.1533.3

Packaging unit 10 Pcs

Accessory

Description



Assorted Covers



Cord retaining kits