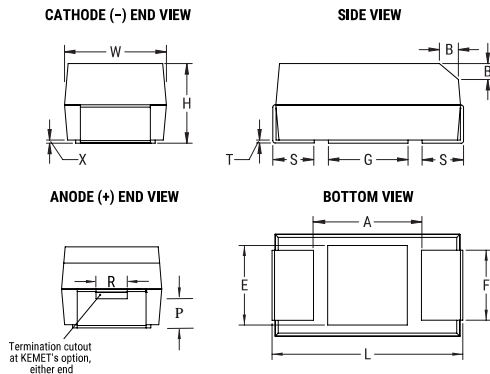


T498, Tantalum, MnO2 Tantalum, High Temperature, 1 uF, 20%, 35 VDC, SMD, MnO2, Molded, Hi-Temp, 150C, Auto, AEC-Q200, N/A, 10 Ohms, 3216, Height Max = 1.8mm



Dimensions	
Footprint	3216
L	3.2mm +/-0.2mm
W	1.6mm +/-0.2mm
H	1.6mm +/-0.2mm
T	0.13mm REF
S	0.8mm +/-0.3mm
F	1.2mm +/-0.1mm
A	1.2mm MIN
B	0.4mm +/-0.15mm
E	1.3mm REF
G	1.1mm REF
P	0.4mm REF
R	0.4mm REF
X	0.1mm +/-0.1mm

Packaging Specifications	
Weight:	58.6 mg
Packaging:	T&R, 178mm
Packaging Quantity:	2000

General Information	
Supplier:	KEMET
Series:	T498
Dielectric:	MnO2 Tantalum
Style:	SMD Chip
Description:	SMD, MnO2, Molded, Hi-Temp, 150C, Auto, AEC-Q200
Features:	Automotive, 150C
RoHS:	Yes
Termination:	Tin
Qualifications:	AEC-Q200
AEC-Q200:	Yes
Shelf Life:	156 Weeks
MSL:	1

Specifications	
Capacitance:	1 uF
Capacitance Tolerance:	20%
Voltage DC:	35 VDC (85C), 27.89 VDC (125C), 17.5 VDC (150C)
Temperature Range:	-55/+150C
Rated Temperature:	85C
Dissipation Factor:	4.00% 120Hz 20C
Failure Rate:	N/A
Resistance:	10000 mOhms (100kHz)
Ripple Current:	87 mAmps (100kHz 25C), 78.3 mAmps (85C), 26.1 mAmps (150C)
Leakage Current:	0.5 uA (5min 20C)

Statements of suitability for certain applications are based on our knowledge of typical operating conditions for such applications, but are not intended to constitute - and we specifically disclaim - any warranty concerning suitability for a specific customer application or use. This Information is intended for use only by customers who have the requisite experience and capability to determine the correct products for their application. Any technical advice inferred from this Information or otherwise provided by us with reference to the use of our products is given gratis, and we assume no obligation or liability for the advice given or results obtained.