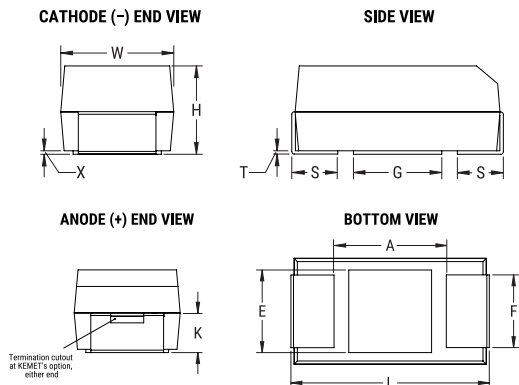


T494, Tantalum, MnO2 Tantalum, 6.8 uF, 10%, 10 VDC, SMD, MnO2, Molded, Low Profile, Low ESR, 2 Ohms, 3528, Height Max = 1.2mm



| General Information | |
|---------------------|---|
| Supplier: | KEMET |
| Series: | T494 |
| Dielectric: | MnO2 Tantalum |
| Style: | SMD Chip |
| Description: | SMD, MnO2, Molded, Low Profile, Low ESR |
| Features: | Low ESR |
| RoHS: | Yes |
| Termination: | Tin |
| Shelf Life: | 156 Weeks |
| MSL: | 1 |

| Dimensions | |
|------------|-------------------|
| Footprint | 3528 |
| L | 3.5mm +/-0.2mm |
| W | 2.8mm +/-0.2mm |
| H | 1.2mm MAX |
| T | 0.13mm REF |
| S | 0.8mm +0.1/-0.3mm |
| F | 2.2mm +/-0.1mm |
| A | 1.9mm MIN |
| E | 2.2mm REF |
| G | 1.8mm REF |
| X | 0.05mm REF |

| Specifications | |
|------------------------|--|
| Capacitance: | 6.8 uF |
| Capacitance Tolerance: | 10% |
| Voltage DC: | 10 VDC (85C), 6.7 VDC (125C) |
| Temperature Range: | -55/+125C |
| Rated Temperature: | 85C |
| Dissipation Factor: | 6.00% 120Hz 20C |
| Failure Rate: | N/A |
| Resistance: | 2 Ohms (100kHz) |
| Ripple Current: | 187 mAmps (100kHz 25C), 168.3 mAmps (85C), 74.8 mAmps (125C) |
| Leakage Current: | 0.7 uA (5min 20C) |

| Packaging Specifications | |
|--------------------------|------------|
| Weight: | 63.89 mg |
| Packaging: | T&R, 178mm |
| Packaging Quantity: | 3000 |

Statements of suitability for certain applications are based on our knowledge of typical operating conditions for such applications, but are not intended to constitute - and we specifically disclaim - any warranty concerning suitability for a specific customer application or use. This Information is intended for use only by customers who have the requisite experience and capability to determine the correct products for their application. Any technical advice inferred from this Information or otherwise provided by us with reference to the use of our products is given gratis, and we assume no obligation or liability for the advice given or results obtained.