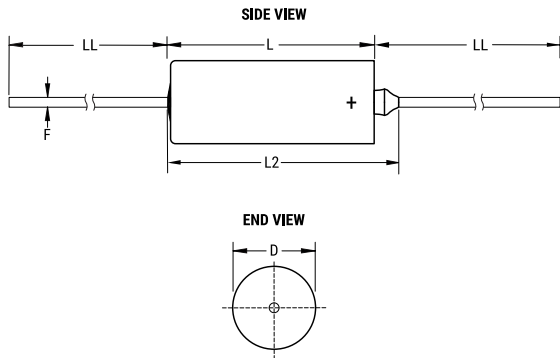


T110, Tantalum, MnO2 Tantalum, Commercial Grade, 100 uF, 10%, 10 VDC, 1 Ohms



| Dimensions |                   |
|------------|-------------------|
| D          | 7.34mm +/-0.25mm  |
| L          | 17.42mm +/-0.79mm |
| L2         | 20.88mm           |
| LL         | 38.1mm +/-6.35mm  |
| F          | 0.64mm +/-0.05mm  |

| Packaging Specifications |            |
|--------------------------|------------|
| Packaging:               | Bulk, Tray |
| Packaging Quantity:      | 20         |

| General Information |   |
|---------------------|---|
| Supplier:           | KEMET   |
| Series:             | T110  |
| Dielectric:         | MnO2 Tantalum   |
| Style:              | Axial Hermetic  |
| Description:        | Axial, Solid Tantalum, Hermetically Sealed, Military (Non-ER), Polar  |
| Features:           | Polar   |
| RoHS:               | Yes   |
| Termination:        | Tin   |
| Lead:               | Wire Leads  |
| Construction:       | Hermetic  |
| Notes:              | Dimensions Include Insulation Sleeve. When Supplied On T&R Or Ammo, Lead Length Is Determined By Taping Specification |

| Specifications         |  |
|------------------------|--|
| Capacitance:           | 100 uF   |
| Capacitance Tolerance: | 10%  |
| Voltage DC:            | 10 VDC (85C), 9 VDC (125C Surge), 0.1 VDC (125C Reverse) |
| Temperature Range:     | -55/+125C  |
| Rated Temperature:     | 85C  |
| Resistance:            | 1 Ohms (100kHz)  |
| Leakage Current:       | 5 uA (25C)   |