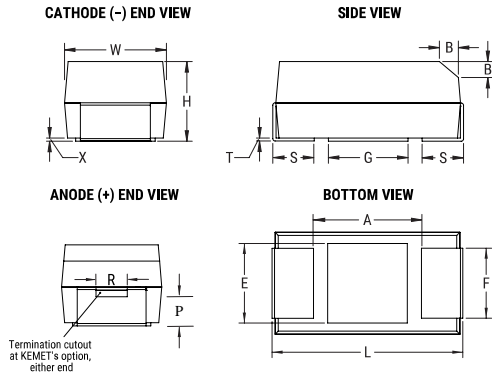


T543\_COTS, Tantalum, Polymer Tantalum, COTS, 1,500 uF, 20%, 3 VDC, SMD, Polymer, Molded, COTS, Up Screening, N/A, 8 mOhms, 7343, Height Max = 4.3mm



| Dimensions |                 |
|------------|-----------------|
| Footprint  | 7343            |
| L          | 7.3mm +/-0.3mm  |
| W          | 4.3mm +/-0.3mm  |
| H          | 4mm +/-0.3mm    |
| T          | 0.13mm REF      |
| S          | 1.3mm +/-0.3mm  |
| F          | 2.4mm +/-0.1mm  |
| A          | 3.8mm MIN       |
| B          | 0.5mm +/-0.15mm |
| E          | 3.5mm REF       |
| G          | 3.5mm REF       |
| P          | 1.7mm REF       |
| R          | 1mm REF         |
| X          | 0.1mm +/-0.1mm  |

| Packaging Specifications |            |
|--------------------------|------------|
| Weight:                  | 588.16 mg  |
| Packaging:               | T&R, 178mm |
| Packaging Quantity:      | 500        |

| General Information |   |
|---------------------|---|
| Supplier:           | KEMET   |
| Series:             | T543_COTS   |
| Dielectric:         | Polymer Tantalum  |
| Style:              | SMD Chip  |
| Description:        | SMD, Polymer, Molded, COTS, Up Screening  |
| Features:           | Non-Combustible, Up Screening, Low ESR, COTS  |
| RoHS:               | No  |
| Prop 65:            | <b>WARNING:</b> Cancer and reproductive harm - <a href="http://www.p65warnings.ca.gov">www.p65warnings.ca.gov</a>   |
| REACH:              | SVHC (Pb – CAS 7439-92-1)   |
| Termination:        | Solder Coated   |
| Notes:              | In polarity stripe, at KEMET's option, type may be indicated: no symbol = Standard (or low leakage) MnO2 tantalum chip, O = LowESR T494, R = Low ESR T495, F = Fused T496, HT = 150C rated T498 (or B45196P, B45198P), H = 175C rated T499, H2 = 200C rated T50 |
| Shelf Life:         | 52 Weeks  |
| MSL:                | 3   |

| Specifications           |  |
|--------------------------|--|
| Capacitance:             | 1,500 uF   |
| Capacitance Tolerance:   | 20%  |
| Voltage DC:              | 3 VDC (105C)                                     |
| Temperature Range:       | -55/+125C  |
| Rated Temperature:       | 105C   |
| Dissipation Factor:      | 10.00% 120Hz 25C                                 |
| Failure Rate:            | N/A  |
| Resistance:              | 8 mOhms (100kHz)                                 |
| Ripple Current:          | 5557 mA (100kHz 45C)                             |
| Leakage Current:         | 450 uA (5min 25C)                                |
| Testing and Reliability: | 10 Cycles Surge Current Testing At -55C And +85C |

Statements of suitability for certain applications are based on our knowledge of typical operating conditions for such applications, but are not intended to constitute - and we specifically disclaim - any warranty concerning suitability for a specific customer application or use. This Information is intended for use only by customers who have the requisite experience and capability to determine the correct products for their application. Any technical advice inferred from this Information or otherwise provided by us with reference to the use of our products is given gratis, and we assume no obligation or liability for the advice given or results obtained.