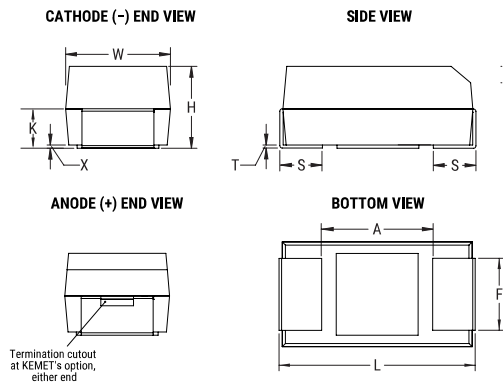


T545, Tantalum, Polymer Tantalum, 180 uF, 20%, 16 VDC, SMD, Polymer, Molded, Low Profile, HiEnergyDensity, 55 mOhms, 7360, Height Max = 2mm



General Information	
Supplier:	KEMET
Series:	T545
Dielectric:	Polymer Tantalum
Style:	SMD Chip
Description:	SMD, Polymer, Molded, Low Profile, HiEnergyDensity
Features:	Low ESR
RoHS:	Yes
Termination:	Tin
MSL:	3

Dimensions	
Footprint	7360
L	7.3mm +/-0.3mm
W	6mm +/-0.3mm
H	1.9mm +/-0.1mm
T	0.13mm REF
S	1.3mm +/-0.3mm
F	4.1mm +/-0.1mm
A	3.3mm MIN
X	0.1mm +/-0.1mm

Specifications	
Capacitance:	180 uF
Capacitance Tolerance:	20%
Voltage DC:	16 VDC (85C)
Temperature Range:	-55/+85C
Rated Temperature:	85C
Dissipation Factor:	20.00% 120Hz 25C
Failure Rate:	N/A
Resistance:	55 mOhms (100kHz 25C)
Ripple Current:	1910 mA (100kHz 45C), 1337 mA (85C)
Leakage Current:	288 uA (5min 25C)

Packaging Specifications	
Weight:	366.62 mg
Packaging:	T&R, 178mm
Packaging Quantity:	1000

Statements of suitability for certain applications are based on our knowledge of typical operating conditions for such applications, but are not intended to constitute - and we specifically disclaim - any warranty concerning suitability for a specific customer application or use. This Information is intended for use only by customers who have the requisite experience and capability to determine the correct products for their application. Any technical advice inferred from this Information or otherwise provided by us with reference to the use of our products is given gratis, and we assume no obligation or liability for the advice given or results obtained.