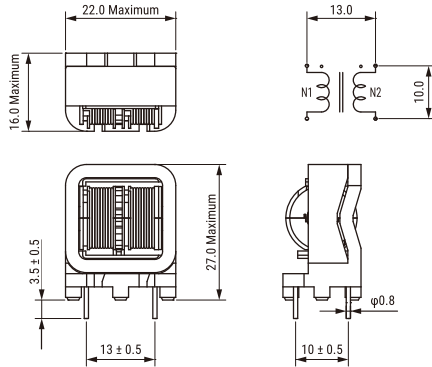


KEMET, SSR21NV-M/NH-M, AC Line Filters, Common Mode, 0.022 H



Dimensions

| | |
|-----------|----------------|
| L | 22mm MAX |
| T | 16mm MAX |
| H | 27mm MAX |
| LL | 3.5mm +/-0.5mm |
| S | 10mm +/-0.5mm |

Packaging Specifications

| | |
|----------------------------|--------|
| Packaging: | Tray |
| Packaging Quantity: | 450 |
| Weight: | 14.5 g |

General Information

| | |
|-----------------------|---|
| Series: | SSR21NV-M/NH-M |
| Style: | Through-Hole |
| Features: | High Performance, High Impedance, Strong Inductance |
| RoHS: | Yes |
| Miscellaneous: | 65 (K) Temperature Rise Max. |

Specifications

| | |
|---------------------------|----------------|
| Voltage AC: | 250 VAC |
| Inductance: | 22 mH (10 kHz) |
| Current: | 1.5 A |
| Temperature Range: | -25/+120C |
| DC Resistance: | 260 mOhms |