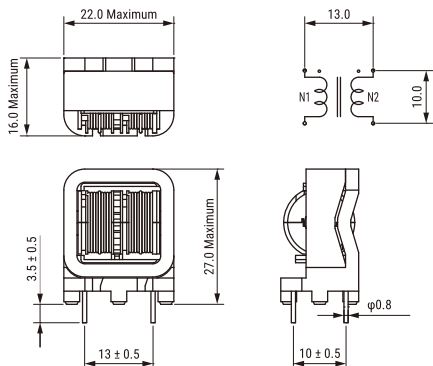


KEMET, SSR21NVS-M/NHS-M, AC Line Filters, Common Mode, 0.135 H



Dimensions

L	22mm MAX
T	16mm MAX
H	27mm MAX
LL	3.5mm +/-0.5mm
S	10mm +/-0.5mm

Packaging Specifications

Packaging:	Tray
Packaging Quantity:	450
Weight:	14.5 g

General Information

Series:	SSR21NVS-M/NHS-M
Style:	Through-Hole
Features:	High Performance, High Impedance, Strong Inductance
RoHS:	Yes
Miscellaneous:	40 (K) Temperature Rise Max.

Specifications

Voltage AC:	250 VAC
Inductance:	135 mH (10 kHz)
Current:	400 mA
Temperature Range:	-25/+120C
DC Resistance:	2 Ohms