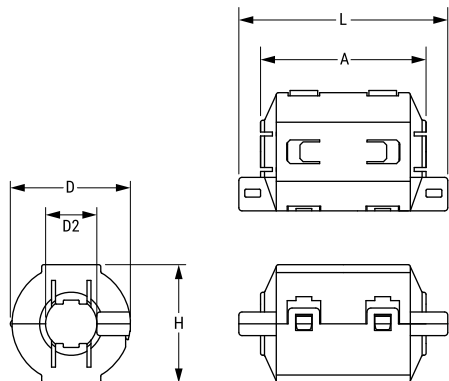


KEMET Part Number: ESD-SR-250H
(UECESDSR250H00)

KEMET, ESD-SR-H, EMI Cores, Noise Suppression



Dimensions	
D	30mm +/-1mm
D2	13mm +/-1mm
L	53mm +/-1mm
H	30mm +/-1mm
A	42mm +/-1mm

Packaging Specifications	
Packaging:	Tray, Box
Packaging Quantity:	60
Weight:	63 g

General Information	
Series:	ESD-SR-H
Style:	Round - Snap-on
Cable Type:	Round Cable
Description:	EMI Core Split, For Round Cables, Snap-on Core
Features:	High Heat Resistance, Cable Holding Mechanism
RoHS:	Yes
Qualifications:	UL94V-0
Case Color:	Black
Materials:	Ni-Zn

Specifications	
Temperature Range:	-40/+100C
Effective Frequency:	300 MHz (FM Band Range)