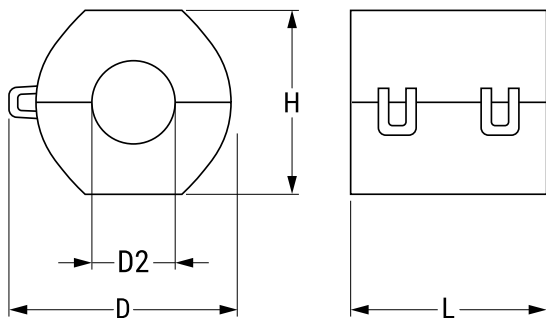


KEMET Part Number: ESD-SR-S10
(UECESDSRS10000)

KEMET, ESD-SR, EMI Cores, Noise Suppression



General Information	
Series:	ESD-SR
Style:	Round - Snap-on
Cable Type:	Round Cable
Description:	EMI Core Split, For Round Cables, Snap-on Core
RoHS:	Yes
Qualifications:	UL94V-0
CTI:	Rank 0
Case Color:	Black
Materials:	Ni-Zn

Dimensions	
D2	6mm MAX
L	18.5mm MAX
T	15.5mm MAX
H	14mm MAX

Specifications	
Rated Temperature:	65C

Packaging Specifications	
Packaging:	Tray, Box
Packaging Quantity:	800