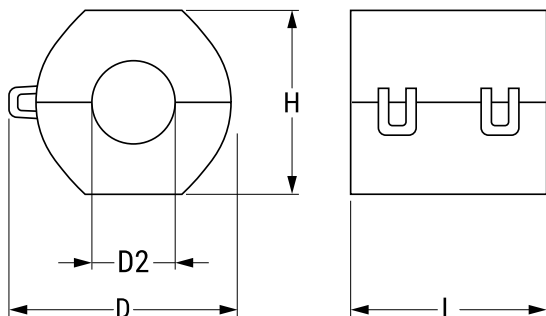


KEMET, ESD-SR, EMI Cores, Noise Suppression



General Information	
Series:	ESD-SR
Style:	Round - Snap-on
Cable Type:	Round Cable
Description:	EMI Core Split, For Round Cables, Snap-on Core
RoHS:	Yes
Qualifications:	UL94V-0
Case Color:	Beige
Materials:	Mn-Zn

Dimensions	
D	15.5mm MAX
D2	6mm MAX
L	18.5mm MAX
H	14mm MAX

Specifications	
Temperature Range:	-40/+85C
Effective Frequency:	300 MHz (AM Band Range)

Packaging Specifications	
Packaging:	Tray, Box
Packaging Quantity:	800
Weight:	4.1 g