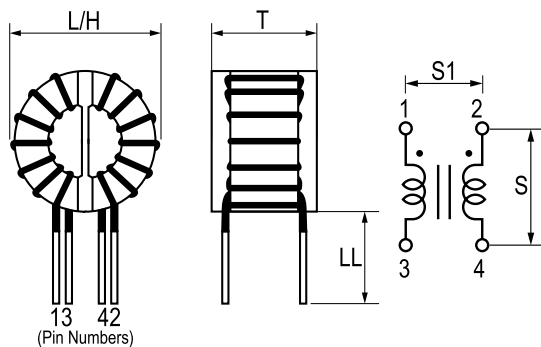


**KEMET Part Number: SC-05-200**  
(UALSC052000000)

KEMET, SC, AC Line Filters, Common Mode, 2000 uH



Dimensions	
L	32mm MAX
T	22mm MAX
H	32mm MAX
LL	15mm +/-2mm
S	21mm NOM

Packaging Specifications	
Packaging:	Tray
Packaging Quantity:	200
Weight:	25 g

General Information	
Series:	SC
Style:	Through-Hole
RoHS:	Yes
Notes:	Lead Spacing (S/S1) Are For Reference Only.
Miscellaneous:	Temperature Rise Maximum: 40 K

Specifications	
Voltage AC:	250 VAC
Inductance:	2 mH
Current:	5 A
Temperature Range:	-25/+105C
DC Resistance:	70 mOhms