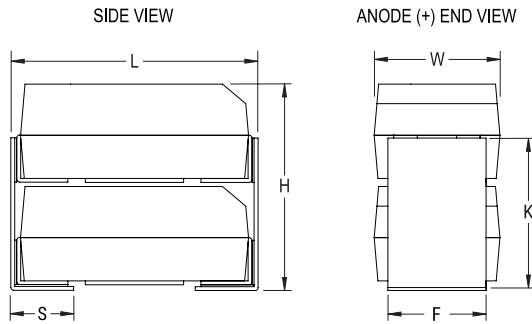



TSP, Tantalum, Polymer Tantalum, COTS, 440 uF, 20%, 10 VDC, 2D



Dimensions	
Case Code	2D
L	8mm +/-0.38mm
W	4.4mm +/-0.2mm
H	6.2mm +/-0.38mm
S	1.9mm +/-0.38mm
F	3mm +/-0.2mm
K	4.8mm +/-0.38mm

Packaging Specifications	
Packaging:	Tray
Packaging Quantity:	50

General Information	
Supplier:	KEMET
Series:	TSP
Dielectric:	Polymer Tantalum
Style:	Stacked Chip
Description:	SMD, Polymer, KO, Stacks, COTS
Features:	COTS
RoHS:	No
Prop 65:	 WARNING: Cancer and reproductive harm - www.p65warnings.ca.gov
REACH:	SVHC (Pb – CAS 7439-92-1)
Termination:	Solder Coated
MSL:	3

Specifications	
Capacitance:	440 uF
Capacitance Tolerance:	20%
Voltage DC:	10 VDC (85C), 6.7 VDC (125C)
Temperature Range:	-55/+125C
Rated Temperature:	85C
Dissipation Factor:	10.00% 120Hz 25C
Failure Rate:	N/A
Resistance:	13 mOhms (100kHz 25C)
Leakage Current:	440 uA (5min 25C)
Testing and Reliability:	Standard Testing Only