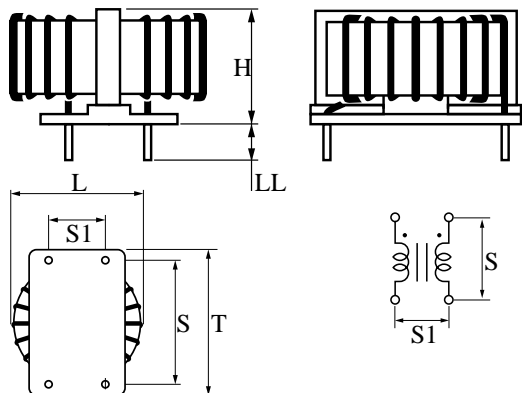


**KEMET Part Number: SC-10-20JH**  
(UALSC1020JH000)

KEMET, SC-JH, AC Line Filters, Common Mode, 2000 uH



**Dimensions**

<b>L</b>	42mm MAX
<b>T</b>	41mm MAX
<b>H</b>	30mm MAX
<b>LL</b>	5mm +/-2mm
<b>S</b>	30mm NOM

**Packaging Specifications**

<b>Packaging:</b>	Tray
<b>Packaging Quantity:</b>	100
<b>Weight:</b>	72 g

**General Information**

<b>Series:</b>	SC-JH
<b>Style:</b>	Through-Hole
<b>RoHS:</b>	Yes
<b>Notes:</b>	Lead Spacing (S/S1) Are For Reference Only.
<b>Miscellaneous:</b>	Temperature Rise Maximum: 45 K

**Specifications**

<b>Voltage AC:</b>	250 VAC
<b>Inductance:</b>	2 mH
<b>Current:</b>	10 A
<b>Temperature Range:</b>	-25/+105C
<b>DC Resistance:</b>	22 mOhms