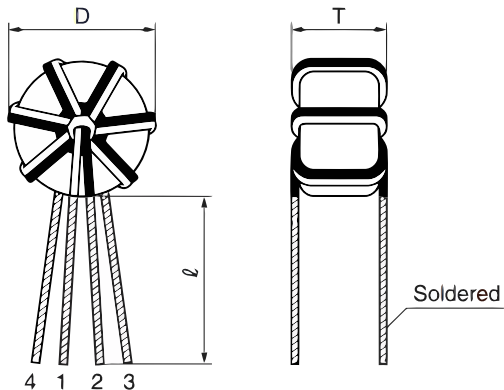


KEMET Part Number: SHO-402
(SHO402)

KEMET, SHO, DC Line Filters, Common Mode, 99 uH



General Information	
Series:	SHO
Style:	Through-Hole
RoHS:	Yes

Specifications	
Voltage DC:	50 VDC
Inductance:	99 uH
Temperature Range:	-25/+80C
DC Resistance:	120 mOhms

Dimensions	
L	7.5mm MAX
T	5mm MAX
H	7.5mm MAX
LL	4mm +/-2mm

Packaging Specifications	
Packaging:	Bulk, Box
Packaging Quantity:	6000
Weight:	370 mg