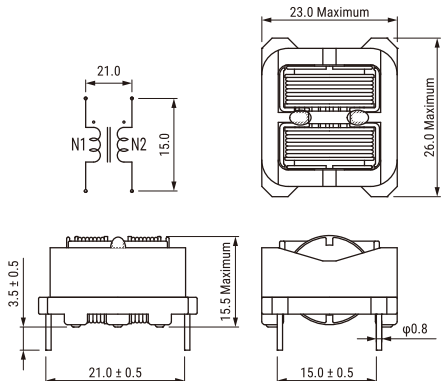


KEMET, SSHB21H, AC Line Filters, Dual Mode, 0.0262 H



Dimensions	
L	26mm MAX
T	23mm MAX
H	15.5mm MAX
LL	3.5mm +/-0.5mm
S	15mm +/-0.5mm

Packaging Specifications	
Packaging:	Tray
Packaging Quantity:	360
Weight:	14 g

General Information	
Series:	SSHB21H
Style:	Through-Hole
RoHS:	Yes
Notes:	Marking: 08 Lot No.
Miscellaneous:	Temperature Rise Maximum: 60 K

Specifications	
Voltage AC:	250 VAC
Inductance:	26.2 mH (10 kHz)
Current:	800 mA
Temperature Range:	-25/+130C
DC Resistance:	880 mOhms