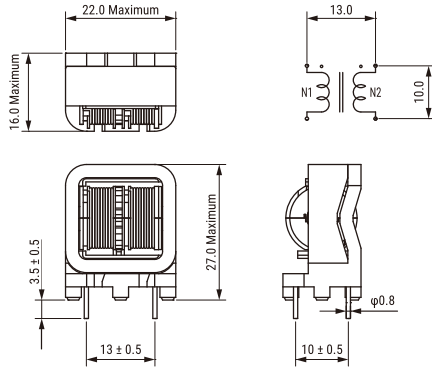


KEMET, SSR21NV/NH, AC Line Filters, Common Mode, 0.025 H



**Dimensions**

|           |                |
|-----------|----------------|
| <b>L</b>  | 22mm MAX       |
| <b>T</b>  | 16mm MAX       |
| <b>H</b>  | 27mm MAX       |
| <b>LL</b> | 3.5mm +/-0.5mm |
| <b>S</b>  | 10mm +/-0.5mm  |

**Packaging Specifications**

|                            |        |
|----------------------------|--------|
| <b>Packaging:</b>          | Tray   |
| <b>Packaging Quantity:</b> | 450    |
| <b>Weight:</b>             | 14.5 g |

**General Information**

|                       |  |
|-----------------------|--|
| <b>Series:</b>        | SSR21NV/NH   |
| <b>Style:</b>         | Through-Hole   |
| <b>Features:</b>      | Compact Size, Light Weight, High Performance, Low DCR, High Impedance, Strong Inductance |
| <b>RoHS:</b>          | Yes  |
| <b>Miscellaneous:</b> | 45 (K) Temperature Rise Max.   |

**Specifications**

|                           |                |
|---------------------------|----------------|
| <b>Voltage AC:</b>        | 250 VAC        |
| <b>Inductance:</b>        | 25 mH (10 kHz) |
| <b>Current:</b>           | 1 A            |
| <b>Temperature Range:</b> | -25/+120C      |
| <b>DC Resistance:</b>     | 360 mOhms      |