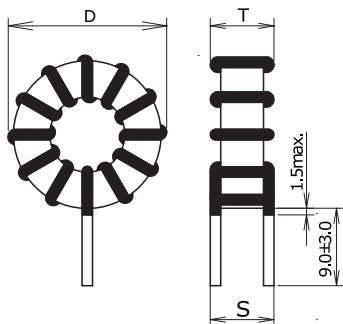


KEMET, PHBC, AC Line Filters, Normal Mode, 67 uH, 20%



| Dimensions | |
|------------|------------|
| D | 33.5mm MAX |
| T | 17.1mm MAX |
| LL | 9mm +/-3mm |
| S | 14mm NOM |

| Packaging Specifications | |
|--------------------------|------|
| Packaging: | Tray |
| Packaging Quantity: | 120 |
| Weight: | 43 g |

| General Information | |
|---------------------|--|
| Series: | PHBC |
| Style: | Through-Hole |
| Features: | Switching Power Supply Outlet, DC-DC Converter, Phase Compensation, Noise Solution |
| RoHS: | Yes |
| Miscellaneous: | 40 (K) Temperature Rise Max. |

| Specifications | |
|-----------------------|-----------------|
| Inductance: | 67 uH (0.1 MHz) |
| Inductance Tolerance: | 20% |
| Current: | 8 A |
| Temperature Range: | -40/+125C |
| DC Resistance: | 22.2 mOhms |