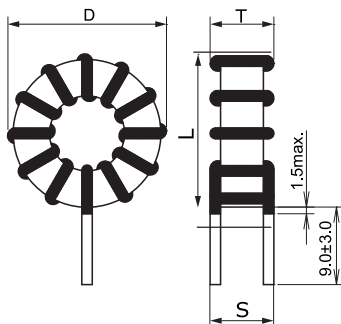


KEMET, SHBC, AC Line Filters, Normal Mode, 80 uH, 20%



Dimensions	
D	26.4mm MAX
L	26.4mm MAX
T	26.4mm MAX
LL	9mm +/-3mm
S	9.5mm NOM

Packaging Specifications	
Packaging:	Tray
Packaging Quantity:	240
Weight:	16 g

General Information	
Series:	SHBC
Style:	Through-Hole
Features:	Low Core Loss, High Frequency Drive
RoHS:	Yes
Miscellaneous:	40 (K) Temperature Rise Max.

Specifications	
Inductance:	80 uH
Inductance Tolerance:	20%
Current:	5 A
Temperature Range:	-40/+125C
DC Resistance:	35.6 mOhms