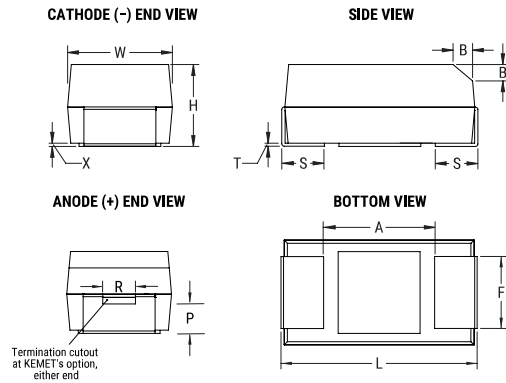


T599, Tantalum, Polymer Tantalum, 33 uF, 20%, 35 VDC, SMD, Polymer, Molded, Low ESR, AEC-Q200, 65 mOhms, 7343, Height Max = 4.3mm



**Dimensions**

Footprint		7343
<b>L</b>		7.3mm +/-0.3mm
<b>W</b>		4.3mm +/-0.3mm
<b>H</b>		4mm +/-0.3mm
<b>T</b>		0.13mm REF
<b>S</b>		1.3mm +/-0.3mm
<b>F</b>		2.4mm +/-0.1mm
<b>A</b>		3.8mm MIN
<b>B</b>		0.5mm +/-0.15mm
<b>P</b>		1.7mm REF
<b>R</b>		1mm REF
<b>X</b>		0.1mm +/-0.1mm

**Packaging Specifications**

<b>Weight:</b>	544 mg
<b>Packaging:</b>	T&R, 178mm
<b>Packaging Quantity:</b>	500

**General Information**

<b>Supplier:</b>	KEMET
<b>Series:</b>	T599
<b>Dielectric:</b>	Polymer Tantalum
<b>Style:</b>	SMD Chip
<b>Description:</b>	SMD, Polymer, Molded, Low ESR, AEC-Q200
<b>Features:</b>	Automotive
<b>RoHS:</b>	Yes
<b>Termination:</b>	Tin
<b>Qualifications:</b>	AEC-Q200
<b>AEC-Q200:</b>	Yes
<b>Shelf Life:</b>	52 Weeks
<b>MSL:</b>	3

**Specifications**

<b>Capacitance:</b>	33 uF
<b>Capacitance Tolerance:</b>	20%
<b>Voltage DC:</b>	35 VDC (105C), 23.45 VDC (150C)
<b>Temperature Range:</b>	-55/+150C
<b>Rated Temperature:</b>	105C
<b>Dissipation Factor:</b>	10.00% 120Hz 25C
<b>Failure Rate:</b>	N/A
<b>Resistance:</b>	65 mOhms (100kHz 25C)
<b>Ripple Current:</b>	1949 mA (100kHz 45C), 1754.1 mA (85C), 389.8 mA (150C)
<b>Leakage Current:</b>	115.5 uA (5min 25C)

Statements of suitability for certain applications are based on our knowledge of typical operating conditions for such applications, but are not intended to constitute - and we specifically disclaim - any warranty concerning suitability for a specific customer application or use. This Information is intended for use only by customers who have the requisite experience and capability to determine the correct products for their application. Any technical advice inferred from this Information or otherwise provided by us with reference to the use of our products is given gratis, and we assume no obligation or liability for the advice given or results obtained.