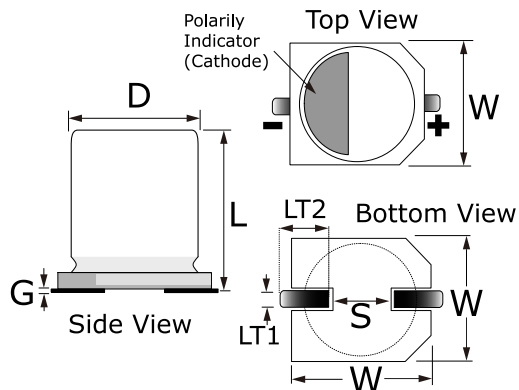


KEMET Part Number: FC0V104ZFTBR24
(USCFC00V104ZBC)

FC, Supercapacitors, SMD Can, Commercial Grade, 0.1 F, -20/+80%, 3.5 VDC, V-Chip



Dimensions

| | |
|------------|-----------------|
| D | 10.5mm +/-0.5mm |
| L | 5.5mm MAX |
| W | 10.8mm +/-0.2mm |
| S | 5mm NOM |
| G | 0mm +0.3/-0.1mm |
| LT1 | 1.2mm +/-0.1mm |
| LT2 | 3.6mm +0.5mm |

Packaging Specifications

| | |
|-------------------|------------|
| Lead: | V-Chip |
| Packaging: | T&R, 380mm |

General Information

| | |
|---------------------|--------------------------------------|
| Supplier: | KEMET |
| Series: | FC |
| Description: | Surface Mount Double Layer Capacitor |
| Features: | Ultra Low ESR, High Power Pulse |
| RoHS: | Yes |

Specifications

| | |
|-------------------------------|--------------------|
| Capacitance: | 0.1 F |
| Capacitance Tolerance: | -20/+80% |
| Voltage DC: | 3.5 VDC |
| Temperature Range: | -25/+70C |
| Rated Temperature: | 70C |
| Resistance: | 50000 mOhms (1kHz) |
| Ripple Current: | 0.09 mAmps (30min) |