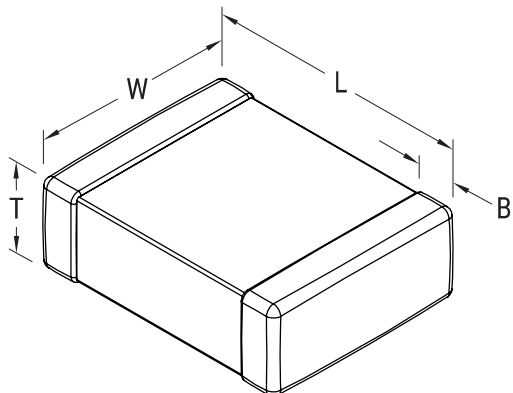


CBR05 SMD RF C0G, Ceramic, High Q, 1 pF, +/-0.1 pF, 250 VDC, C0G, SMD, Fixed, RF, Ultra High Q, Low ESR, Class I, 0505



Dimensions	
L	1.4mm +0.38/-0.25mm
W	1.4mm +/-0.38mm
T	1.15mm +/-0.15mm
B	0.25mm +0.25/-0.13mm

Packaging Specifications	
Packaging:	T&R, 180mm, Plastic Tape
Packaging Quantity:	3000

General Information	
Supplier:	KEMET
Series:	CBR05 SMD RF C0G
Style:	SMD Chip
Description:	SMD, Fixed, RF, Ultra High Q, Low ESR, Class I
Features:	Ultra High Q, Low ESR, Class I
RoHS:	Yes
Termination:	Tin
Marking:	No
Miscellaneous:	Minimum Q = 820
Notes:	Solder Reflow Only
Chip Size:	0505

Specifications	
Capacitance:	1 pF
Capacitance Tolerance:	+/-0.1 pF
Voltage DC:	250 VDC
Dielectric Withstanding Voltage:	500 V
Temperature Range:	-55/+125C
Temperature Coefficient:	C0G
Aging Rate:	0% Loss/Decade Hour
Insulation Resistance:	10 GOhms
Quality Factor:	820