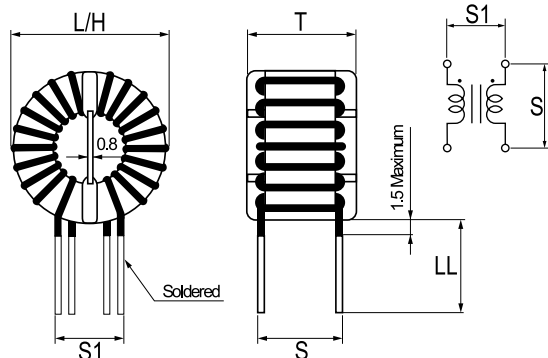


**KEMET Part Number: SCF27-10-1300**  
(UALSCF27101300)

KEMET, SCF, AC Line Filters, Common Mode, 0.013 H



#### Dimensions

<b>L</b>	35mm MAX
<b>T</b>	24mm MAX
<b>H</b>	35mm MAX
<b>LL</b>	15mm +/-3mm
<b>S</b>	20mm NOM

#### Packaging Specifications

<b>Packaging:</b>	Tray
<b>Packaging Quantity:</b>	100
<b>Weight:</b>	47 g

#### General Information

<b>Series:</b>	SCF
<b>Style:</b>	Through-Hole
<b>RoHS:</b>	Yes
<b>Notes:</b>	Lead Spacing (S/S1) Are For Reference Only.
<b>Miscellaneous:</b>	Temperature Rise Maximum: 55 K

#### Specifications

<b>Voltage AC:</b>	250 VAC
<b>Inductance:</b>	13 mH
<b>Current:</b>	10 A
<b>Temperature Range:</b>	-25/+120C
<b>DC Resistance:</b>	15 mOhms