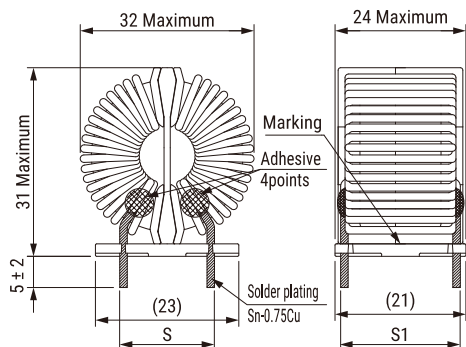


KEMET, SCR22, AC Line Filters, Common Mode, 1500 uH



Dimensions

D	32mm MAX
L	32mm MAX
T	31mm MAX
H	24mm MAX
LL	5mm +/-2mm
S	14mm NOM
L2	23mm NOM

Packaging Specifications

Packaging:	Tray
Packaging Quantity:	200
Weight:	33 g

General Information

Series:	SCR22
Style:	Through-Hole
Features:	High Impedance, Space Saving
RoHS:	Yes
Miscellaneous:	65 (K) Temperature Rise Max.

Specifications

Voltage AC:	250 VAC
Inductance:	1500 uH
Current:	10 A
Temperature Range:	-25/+120C
DC Resistance:	12 mOhms