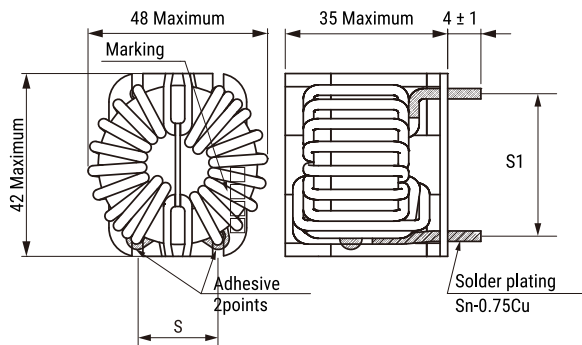


KEMET, SCR31, AC Line Filters, Common Mode, 1700 uH



Dimensions

D	48mm MAX
L	48mm MAX
T	42mm MAX
H	35mm MAX
LL	4mm +/-1mm
S	17mm NOM

Packaging Specifications

Packaging:	Tray
Packaging Quantity:	80
Weight:	87 g

General Information

Series:	SCR31
Style:	Through-Hole
Features:	High Impedance, Space Saving
RoHS:	Yes
Miscellaneous:	79 (K) Temperature Rise Max.

Specifications

Voltage AC:	500 VAC
Inductance:	1700 uH
Current:	20 A
Temperature Range:	-25/+120C
DC Resistance:	6.3 mOhms