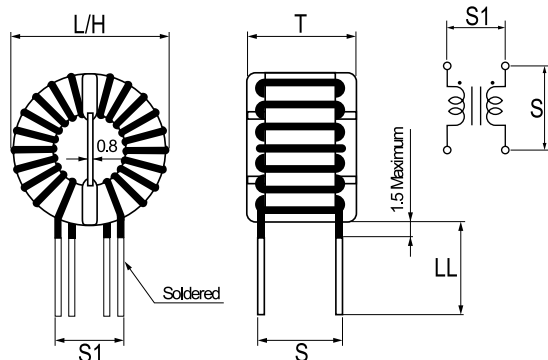


KEMET Part Number: SCF27-15-700
(UALSCF27157000)

KEMET, SCF, AC Line Filters, Common Mode, 7000 uH



Dimensions	
L	36mm MAX
T	24mm MAX
H	36mm MAX
LL	15mm +/-3mm
S	20mm NOM

Packaging Specifications	
Packaging:	Tray
Packaging Quantity:	100
Weight:	48 g

General Information	
Series:	SCF
Style:	Through-Hole
RoHS:	Yes
Notes:	Lead Spacing (S/S1) Are For Reference Only.
Miscellaneous:	Temperature Rise Maximum: 70 K

Specifications	
Voltage AC:	250 VAC
Inductance:	7 mH
Current:	15 A
Temperature Range:	-25/+120C
DC Resistance:	5 mOhms