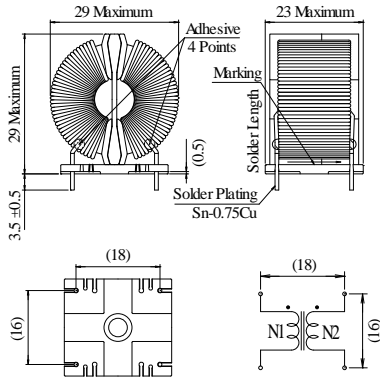


KEMET, SCR, AC Line Filters, Common Mode, 4000 uH



Dimensions	
L	29mm MAX
T	23mm MAX
H	29mm MAX
LL	3.5mm +/-0.5mm
S	16mm NOM

Packaging Specifications	
Packaging:	Tray
Packaging Quantity:	240
Weight:	24 g

General Information	
Series:	SCR
Style:	Through-Hole
Features:	High Impedance
RoHS:	Yes
Notes:	Lead Spacing (S/S1) Are For Reference Only.
Miscellaneous:	Temperature Rise Maximum: 65 K

Specifications	
Voltage AC:	250 VAC/VDC
Voltage DC:	250 VDC
Inductance:	4 mH
Current:	6 A
Temperature Range:	-25/+120C
DC Resistance:	32.6 mOhms