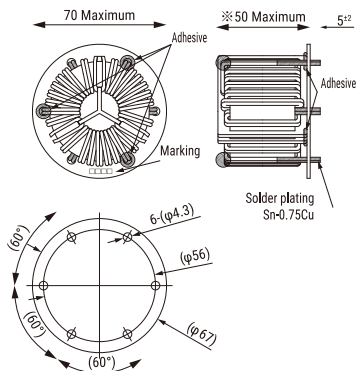


KEMET, SCR Three Phase, AC Line Filters, Common Mode, 2000 uH



General Information	
<b>Series:</b>	SCR Three Phase
<b>Style:</b>	Through-Hole
<b>Features:</b>	High Impedance, Space Saving
<b>RoHS:</b>	Yes
<b>Miscellaneous:</b>	87 (K) Temperature Rise Max.

Dimensions	
<b>D</b>	70mm MAX
<b>T</b>	50mm MAX
<b>H</b>	70mm MAX
<b>LL</b>	5mm +/-2mm

Specifications	
<b>Voltage AC:</b>	500 VAC/VDC
<b>Voltage DC:</b>	500 VDC
<b>Inductance:</b>	2 mH
<b>Current:</b>	30 A
<b>Temperature Range:</b>	-25/+120C
<b>DC Resistance:</b>	4.8 mOhms

Packaging Specifications	
<b>Packaging:</b>	Tray
<b>Packaging Quantity:</b>	27
<b>Weight:</b>	340 g

Statements of suitability for certain applications are based on our knowledge of typical operating conditions for such applications, but are not intended to constitute - and we specifically disclaim - any warranty concerning suitability for a specific customer application or use. This Information is intended for use only by customers who have the requisite experience and capability to determine the correct products for their application. Any technical advice inferred from this Information or otherwise provided by us with reference to the use of our products is given gratis, and we assume no obligation or liability for the advice given or results obtained.