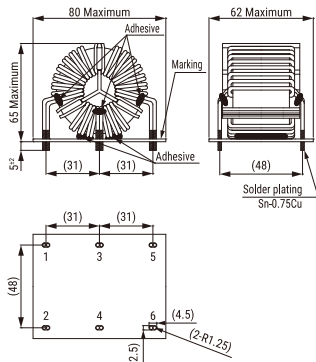


KEMET, SCR Three Phase, AC Line Filters, Common Mode, 1000 uH



General Information	
Series:	SCR Three Phase
Style:	Through-Hole
Features:	High Impedance, Space Saving
RoHS:	Yes
Miscellaneous:	70 (K) Temperature Rise Max.

Specifications	
Voltage AC:	500 VAC/VDC
Voltage DC:	500 VDC
Inductance:	1 mH
Current:	35 A
Temperature Range:	-25/+120C
DC Resistance:	2.5 mOhms

Dimensions	
D	65mm MAX
L	80mm MAX
T	62mm MAX
H	65mm MAX
LL	5mm +/-2mm
S	31mm NOM

Packaging Specifications	
Packaging:	Tray
Packaging Quantity:	18
Weight:	340 g

Statements of suitability for certain applications are based on our knowledge of typical operating conditions for such applications, but are not intended to constitute - and we specifically disclaim - any warranty concerning suitability for a specific customer application or use. This Information is intended for use only by customers who have the requisite experience and capability to determine the correct products for their application. Any technical advice inferred from this Information or otherwise provided by us with reference to the use of our products is given gratis, and we assume no obligation or liability for the advice given or results obtained.