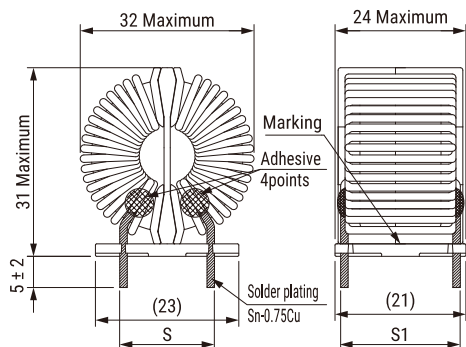


KEMET, SCR22, AC Line Filters, Common Mode, 0.01 H



Dimensions

D	32mm MAX
L	32mm MAX
T	31mm MAX
H	24mm MAX
LL	5mm +/-2mm
S	14mm NOM
L2	23mm NOM

Packaging Specifications

Weight:	34 g
----------------	------

General Information

Series:	SCR22
Style:	Through-Hole
Features:	High Impedance, Space Saving
RoHS:	Yes
Miscellaneous:	65 (K) Temperature Rise Max.

Specifications

Voltage AC:	250 VAC/VDC
Voltage DC:	250 VDC
Inductance:	10 mH
Current:	5 A
Temperature Range:	-25/+120C
DC Resistance:	60 mOhms