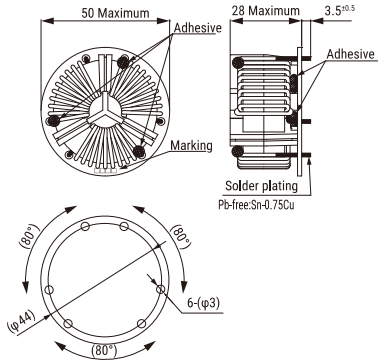


KEMET, SCR Three Phase, AC Line Filters, Common Mode, 1500 uH



Dimensions

| | |
|-----------|----------------|
| D | 50mm MAX |
| T | 28mm MAX |
| H | 50mm MAX |
| LL | 3.5mm +/-0.5mm |

Packaging Specifications

| | |
|----------------------------|-------|
| Packaging: | Tray |
| Packaging Quantity: | 60 |
| Weight: | 100 g |

General Information

| | |
|-----------------------|------------------------------|
| Series: | SCR Three Phase |
| Style: | Through-Hole |
| Features: | High Impedance, Space Saving |
| RoHS: | Yes |
| Miscellaneous: | 70 (K) Temperature Rise Max. |

Specifications

| | |
|---------------------------|-------------|
| Voltage AC: | 500 VAC/VDC |
| Voltage DC: | 500 VDC |
| Inductance: | 1.5 mH |
| Current: | 13 A |
| Temperature Range: | -25/+120C |
| DC Resistance: | 9.2 mOhms |