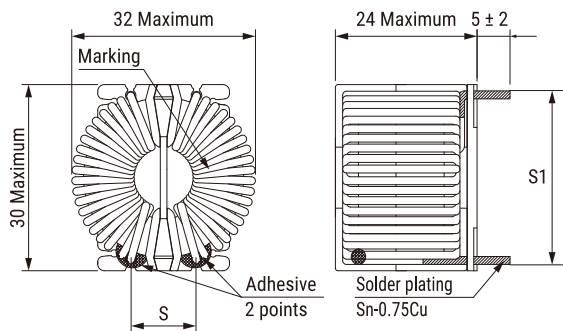


KEMET, SCR22, AC Line Filters, Common Mode, 1500 uH



Dimensions	
D	32mm MAX
L	32mm MAX
T	30mm MAX
H	24mm MAX
LL	5mm +/-2mm
S	10mm NOM

Packaging Specifications	
Packaging:	Tray
Packaging Quantity:	150
Weight:	33 g

General Information	
Series:	SCR22
Style:	Through-Hole
Features:	High Impedance, Space Saving
RoHS:	Yes
Miscellaneous:	65 (K) Temperature Rise Max.

Specifications	
Voltage AC:	250 VAC
Inductance:	1500 uH
Current:	10 A
Temperature Range:	-25/+120C
DC Resistance:	12 mOhms