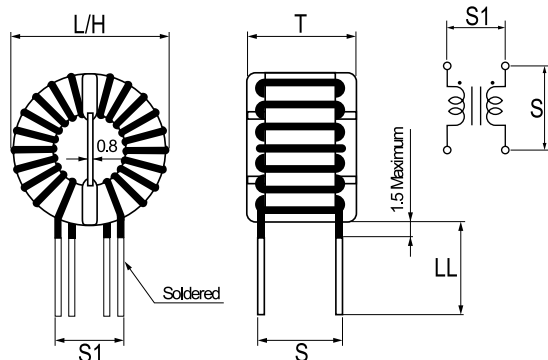


KEMET Part Number: SCF25-08-1300
(UALSCF25081300)

KEMET, SCF, AC Line Filters, Common Mode, 0.013 H



Dimensions

L	32mm MAX
T	23mm MAX
H	32mm MAX
LL	10mm +/-2.5mm
S	20mm NOM

Packaging Specifications

Packaging:	Tray
Packaging Quantity:	100
Weight:	41 g

General Information

Series:	SCF
Style:	Through-Hole
RoHS:	Yes
Notes:	Lead Spacing (S/S1) Are For Reference Only.
Miscellaneous:	Temperature Rise Maximum: 50 K

Specifications

Voltage AC:	250 VAC
Inductance:	13 mH
Current:	8 A
Temperature Range:	-25/+120C
DC Resistance:	18 mOhms