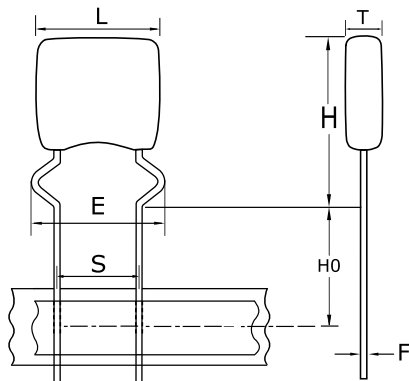


**KEMET Part Number: C316C101J5G5TA7303**  
(C316C101J5G5TATR)

GoldMax 300 Comm COG, Ceramic, 100 pF, 5%, 50 VDC, COG, GoldMax, Commercial Standard, Lead Spacing = 2.54mm



**Dimensions**

| Dimensions |                      |
|------------|----------------------|
| L          | 3.81mm MAX           |
| H          | 5.84mm MAX           |
| T          | 2.54mm MAX           |
| S          | 2.54mm +/-0.78mm     |
| H0         | 18mm MIN             |
| F          | 0.51mm +0.1/-0.025mm |
| E          | 5.08mm NOM           |

**Packaging Specifications**

|                            |            |
|----------------------------|------------|
| <b>Packaging:</b>          | T&R, 305mm |
| <b>Packaging Quantity:</b> | 2500       |

**General Information**

|                      |                              |
|----------------------|------------------------------|
| <b>Supplier:</b>     | KEMET                        |
| <b>Series:</b>       | GoldMax 300 Comm COG         |
| <b>Style:</b>        | Radial                       |
| <b>Description:</b>  | GoldMax, Commercial Standard |
| <b>RoHS:</b>         | Yes                          |
| <b>Termination:</b>  | Tin                          |
| <b>Failure Rate:</b> | N/A                          |
| <b>Halogen Free:</b> | Yes                          |

**Specifications**

|   |                     |
|---|---------------------|
| <b>Capacitance:</b>                     | 100 pF              |
| <b>Capacitance Tolerance:</b>           | 5%                  |
| <b>Voltage DC:</b>                      | 50 VDC              |
| <b>Dielectric Withstanding Voltage:</b> | 125 V               |
| <b>Temperature Range:</b>               | -55/+125C           |
| <b>Temperature Coefficient:</b>         | COG                 |
| <b>Dissipation Factor:</b>              | 0.10% 25C           |
| <b>Aging Rate:</b>                      | 0% Loss/Decade Hour |
| <b>Insulation Resistance:</b>           | 100 GOhms           |