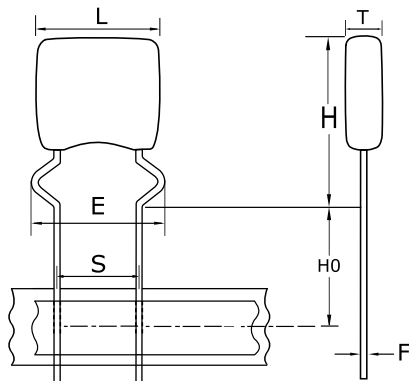


**KEMET Part Number: C316C102K2R5TA7303**  
(C316C102K2R5TATR)

GoldMax 300 Comm X7R, Ceramic, 1000 pF, 10%, 200 VDC, X7R, GoldMax, Commercial Standard, Lead Spacing = 2.54mm



**Dimensions**

<b>L</b>	3.81mm MAX
<b>H</b>	5.84mm MAX
<b>T</b>	2.54mm MAX
<b>S</b>	2.54mm +/-0.78mm
<b>H0</b>	18mm MIN
<b>F</b>	0.51mm +0.1/-0.025mm
<b>E</b>	5.08mm NOM

**Packaging Specifications**

<b>Packaging:</b>	T&R, 305mm
<b>Packaging Quantity:</b>	2500

**General Information**

<b>Supplier:</b>	KEMET
<b>Series:</b>	GoldMax 300 Comm X7R
<b>Style:</b>	Radial
<b>Description:</b>	GoldMax, Commercial Standard
<b>RoHS:</b>	Yes
<b>Termination:</b>	Tin
<b>Failure Rate:</b>	N/A
<b>Halogen Free:</b>	Yes

**Specifications**

<b>Capacitance:</b>	1000 pF
<b>Capacitance Tolerance:</b>	10%
<b>Voltage DC:</b>	200 VDC
<b>Dielectric Withstanding Voltage:</b>	500 V
<b>Temperature Range:</b>	-55/+125C
<b>Temperature Coefficient:</b>	X7R
<b>Dissipation Factor:</b>	2.50% 25C
<b>Aging Rate:</b>	3% Loss/Decade Hour
<b>Insulation Resistance:</b>	100 GOhms