



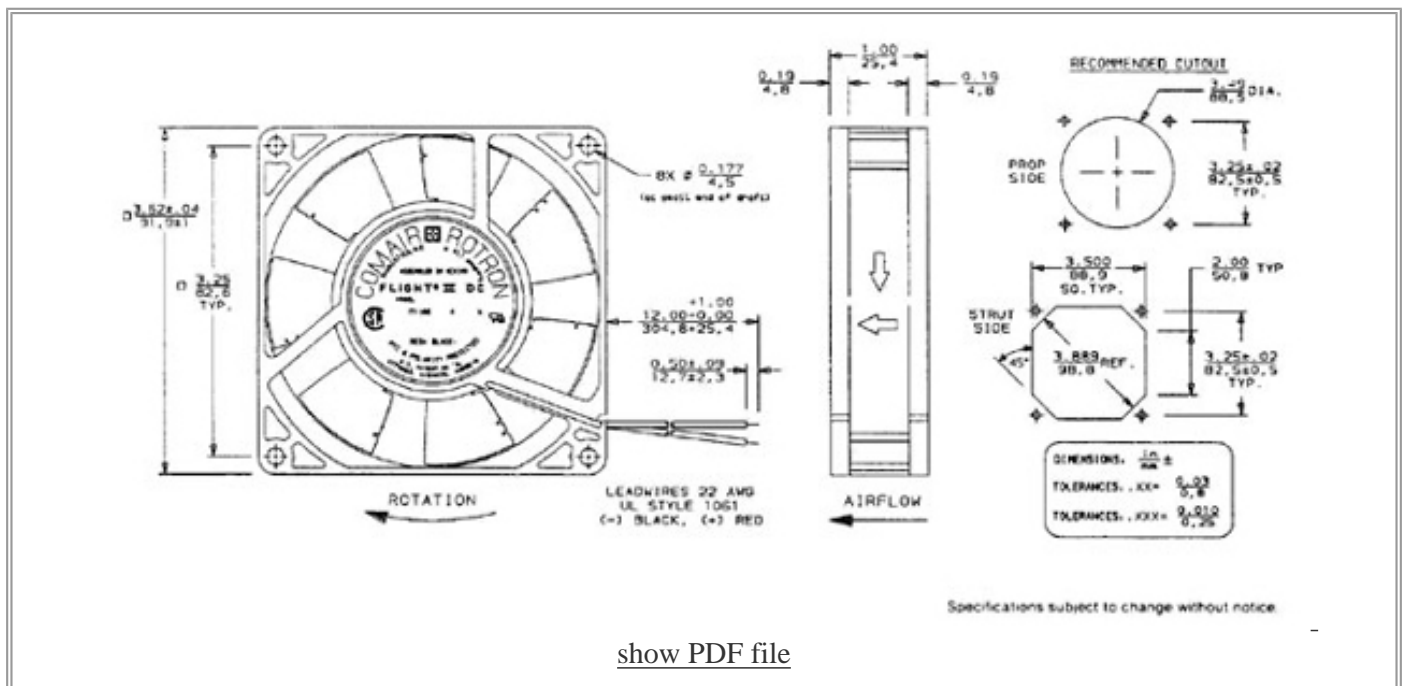
Flight II 90 (DC Fan)

COMAIR ROTRON PART NUMBER: **031406**
 COMAIR ROTRON MODEL NUMBER: **FN24K3**

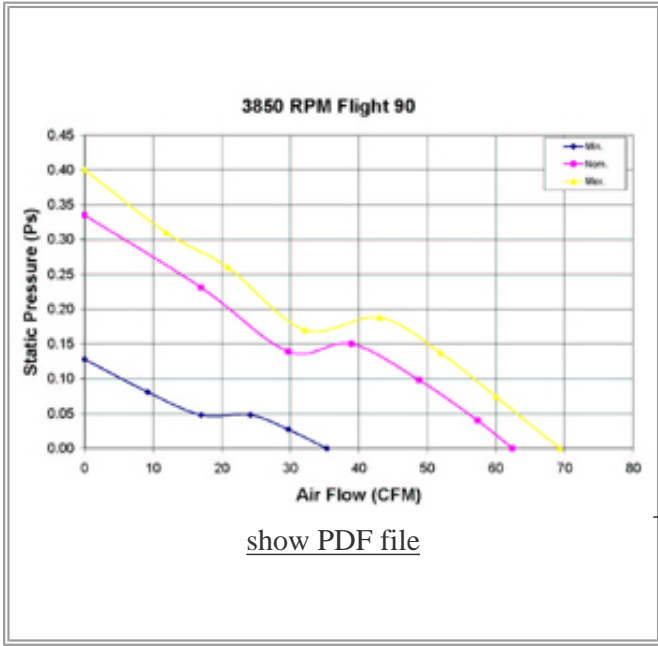


MOTOR	
Rated Voltage:	24
Operating Voltage Range:	12 - 28
Running Current: 50Hz 60Hz (amps)	
Locked Rotor Current: (amps)	0.7
Rated Power: 50Hz 60Hz (watts)	
Nominal Speed: 50Hz 60Hz (rpm)	

MECHANICAL	
Dimensions:	92mm x 25mm (3.62in x 1.00in)
Bearing Type:	Ball
Motor Base:	Polyphenylene Oxide (PPO), UL94V-0, Black
Propeller:	Polybutylene Terephthalate (PBT), UL94V-0, Black



NOTES



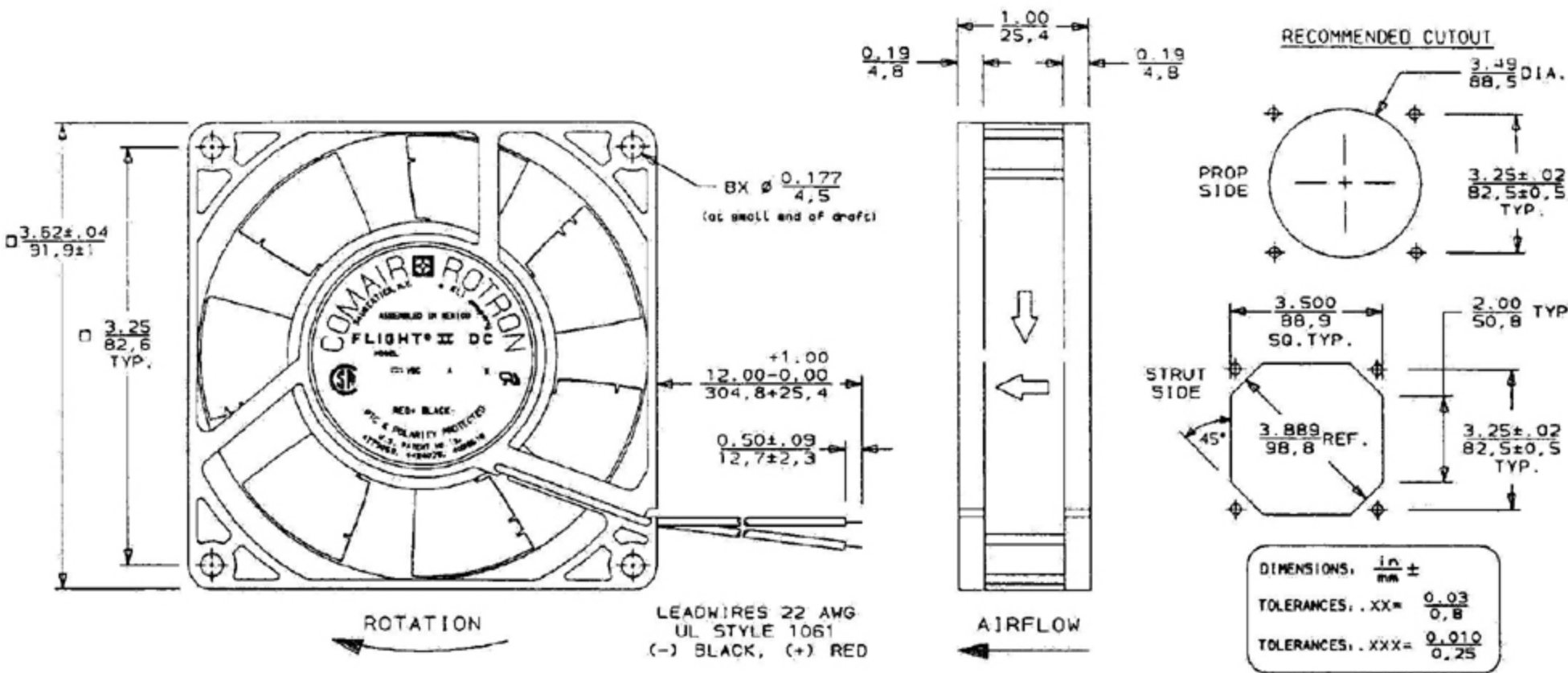
PERFORMANCE CHARACTERISTICS	
Air Flow: (CFM)	60
Static Pressure:	.335

TERMINATION	
Leadwires:	12" Leadwires

SAFETY	
    	

All product names are used under license and are trademarks or registered trademarks of Comair Rotron, Inc.

[New Search](#)



DIMENSIONS, $\frac{1}{16}$ IN ±
 TOLERANCES, .XX = $\frac{0.03}{0.8}$
 TOLERANCES, .XXX = $\frac{0.010}{0.25}$