

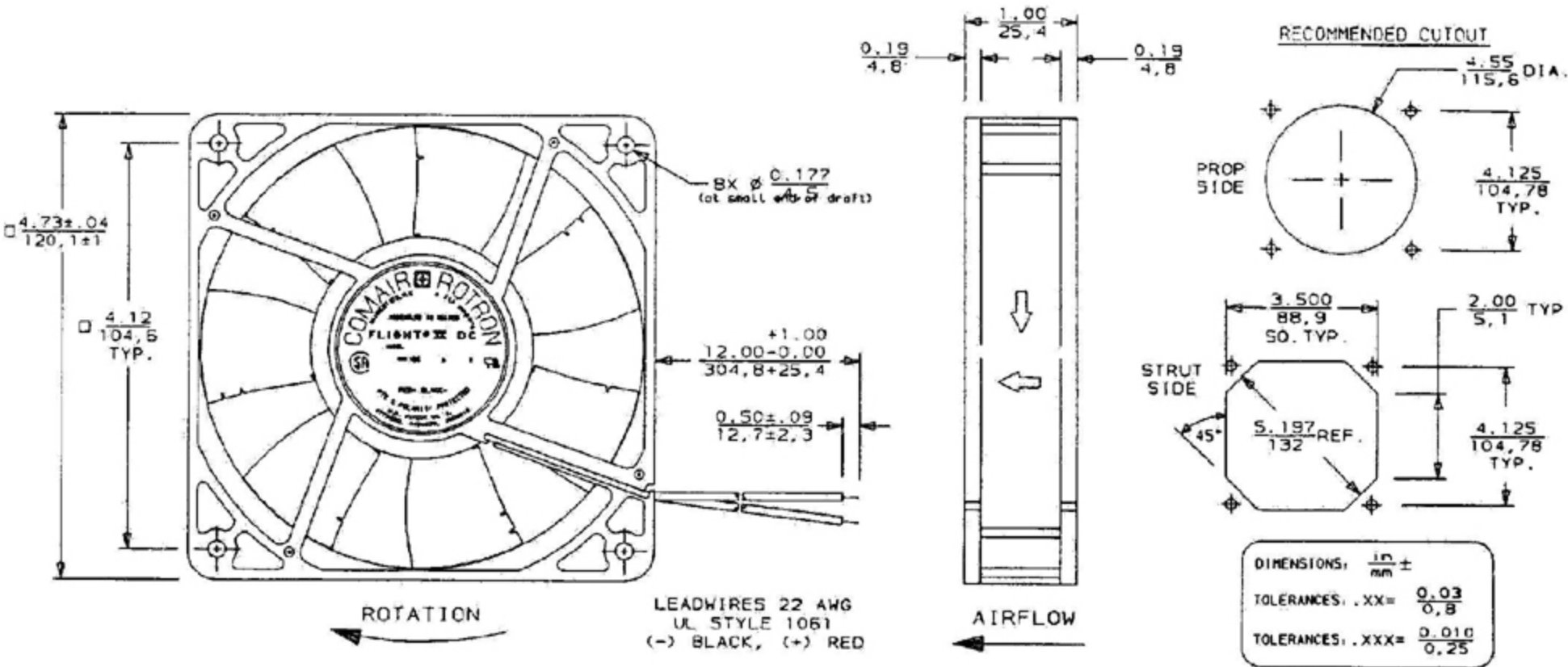
PERFORMANCE CHARACTERISTICS	
Air Flow: (CFM)	90
Static Pressure:	.211

TERMINATION	
Leadwires:	12" Leadwires

SAFETY	
    	

All product names are used under license and are trademarks or registered trademarks of Comair Rotron, Inc.

[New Search](#)



Specifications subject to change without notice.