

SPEEDY RJ12 6p6c Plugs



SPEEDY RJ12 6p6c Plugs (PXSPDY12)

These plugs are designed to simplify terminations by allowing the wire pairs to be easily inserted through the plug and out of the front. This allows the installer to easily check the wiring order before crimping the connector. Waste is minimised and the plugs are suitable for either stranded or solid wires.

Features

- Each plug allows wires to be inserted through the body and pulled out of the front to ensure the correct wiring order before crimping.
- Contact blades are suitable for stranded or solid wire cores from 22-26 AWG (0.65 – 0.40mm), with insulation up to 1.0mm O.D.
- Perfect solution for rapid termination
- Faults and failures minimised
- Less cable scrap and wastage

Specifications

- Materials:
 - Housing: Polycarbonate UL 90-V0
 - Contact: 50 μ "/1.27 μ m gold plated over nickel phosphor bronze
- Working temperature: 25°C ~ 55°C
- Contact resistance: 30 milli Ω max.
- Insulation resistance: DC 300V, 100 mega Ω min.



Packaging:

Supplied in polybags of 10 then 100 then 500

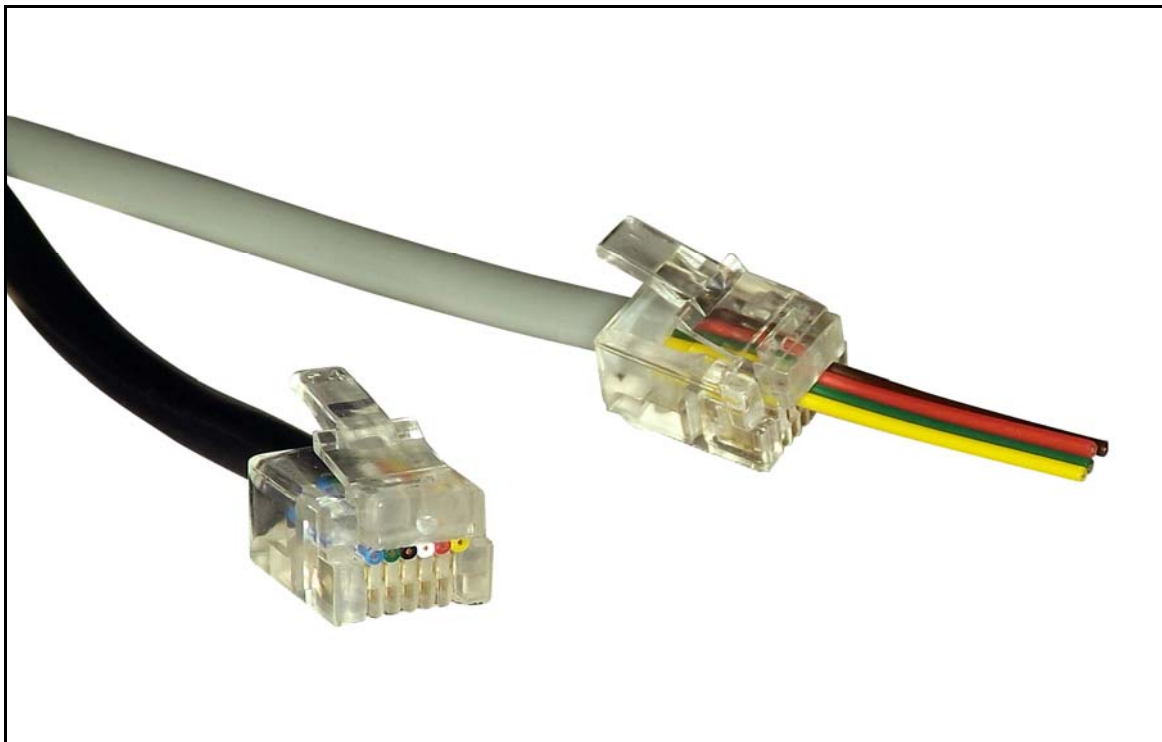
10: PXSPDY12#10

100: PXSPDY12#100

500: PXSPDY12#500

EAN number: 5055386507266

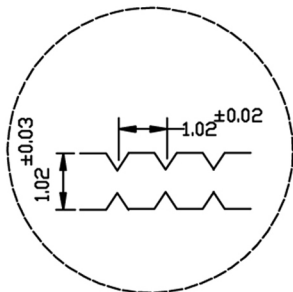
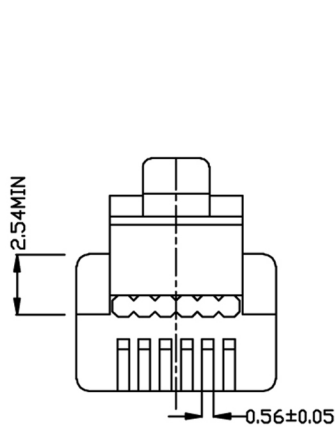
Commodity Code: 85444920



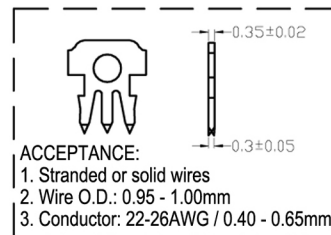
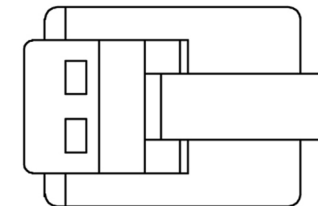
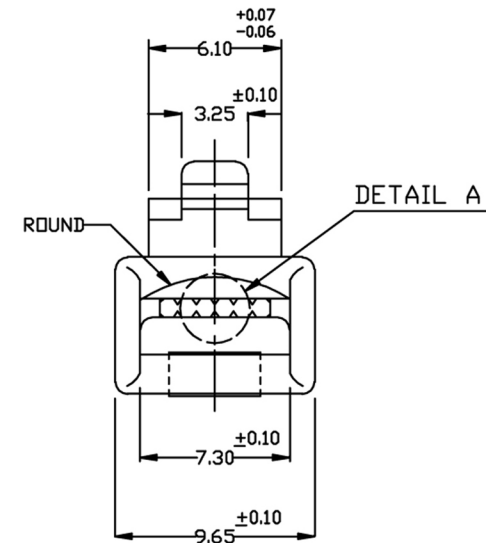
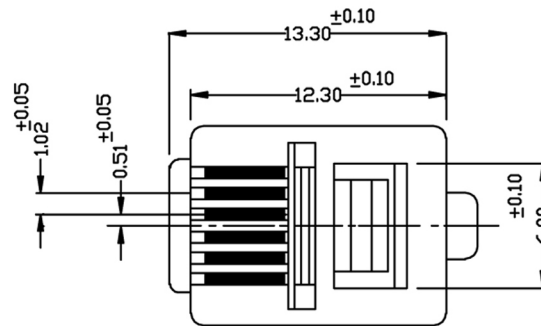
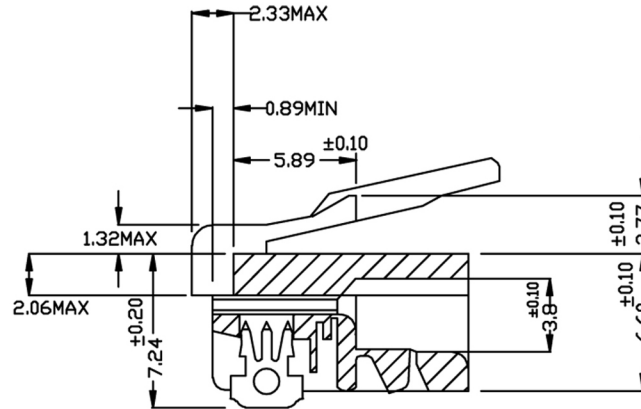
(For illustration purpose)

ROHS Compliant

Code: PXSPDY12



DETAIL A



1. Materials:

Housing plastic: Polycarbonate UL 94-V0
 Contact pin: 50μ"/1.27μm gold plated over nickel phosphor bronze

2. Contact resistance: 30 milliΩ max.
3. Insulation resistance: DC 300V, 100 megaΩ min.
4. Dielectric withstanding voltage: 300V, AC for 1 minute
5. Working temperature: 25°C ~ 55°C
6. Durability: 1000 mating cycles min.
7. Tensile strength between plug and jack is higher than 7.7kgf

