

RoHS
Compliant



Features

- Single Fixed Output
- Efficiency Level: VI
- 2.1mm × 5.5mm × 12mm DC Connector Polarity +ve Centre
- UK Plug Type

Specifications

Input Voltage

Rated Input Voltage : 100V to 240V AC

Variable Input voltage : 90V to 264V AC

Input Current : 0.4A Max. (When input rated voltage and output rated load)

Input Frequency

Rate Frequency : 50/60Hz

Variation Frequency : 47 to 63Hz

In-rush Current : 60 Amps Max. Cold start at 240V AC input, with rated load and 25°C ambient.

AC leakage Current : 0.25mA Max . At 240V AC input

Rated Output Power : 12W

Output Voltage : 12V

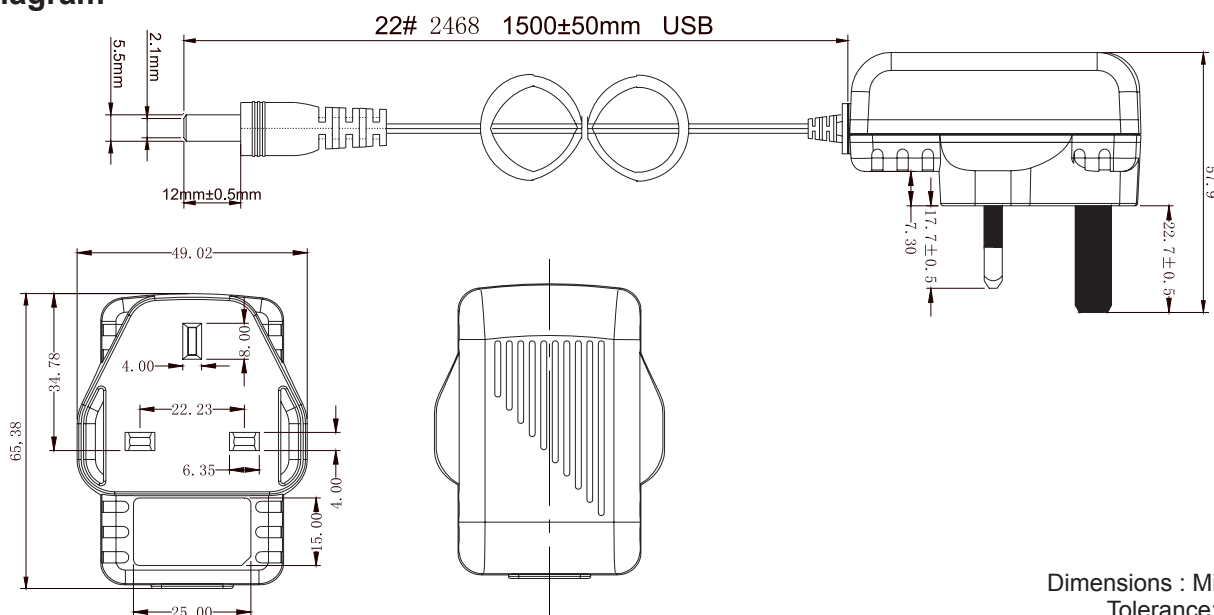
Output Current : 1A

Output Power : 12W

Operating Temperature : 0°C to +40°C

Storage Temperature : -10°C to +55°C

Diagram



Dimensions : Millimetres
Tolerance: ±0.2mm

Part Number Table

Description	Part Number
AC-DC Power Supply, 12V, 1A, 2.1mm DC Plug	PEL00398

Important Notice : This data sheet and its contents (the "Information") belong to the members of the Premier Farnell group of companies (the "Group") or are licensed to it. No licence is granted for the use of it other than for information purposes in connection with the products to which it relates. No licence of any intellectual property rights is granted. The Information is subject to change without notice and replaces all data sheets previously supplied. The Information supplied is believed to be accurate but the Group assumes no responsibility for its accuracy or completeness, any error in or omission from it or for any use made of it. Users of this data sheet should check for themselves the Information and the suitability of the products for their purpose and not make any assumptions based on information included or omitted. Liability for loss or damage resulting from any reliance on the Information or use of it (including liability resulting from negligence or where the Group was aware of the possibility of such loss or damage arising) is excluded. This will not operate to limit or restrict the Group's liability for death or personal injury resulting from its negligence. pro-ELEC is the registered trademark of the Group. © Premier Farnell Limited 2016.