

**PLEASE CHECK WWW.MOLEX.COM FOR LATEST PART INFORMATION**

**Part Number:** [1054301103](#)  
**Status:** **Active**  
**Overview:** [Nano-Fit Power Connectors](#)  
**Description:** Nano-Fit Right-Angle Header, Surface Mount, 2.50mm Pitch, Single Row, 3 Circuits, 0.76µm Tin (Sn) Plating, Black, Glow-Wire Capable

**Documents:**

<a href="#">3D Model</a>	<a href="#">Application Specification AS-105405-001-001 (PDF)</a>
<a href="#">Drawing (PDF)</a>	<a href="#">Packaging Specification 1054301000-PK-000 (PDF)</a>
<a href="#">Product Specification PS-105405-001-001 (PDF)</a>	<a href="#">RoHS Certificate of Compliance (PDF)</a>

**General**

Product Family	PCB Headers
Series	<a href="#">105430</a>
Application	Power, Wire-to-Board
Overview	<a href="#">Nano-Fit Power Connectors</a>
Product Name	Nano-Fit
UPC	191128929516

**Physical**

Breakaway	No
Circuits (Loaded)	3
Circuits (maximum)	3
Color - Resin	Black
Durability (mating cycles max)	25
Glow-Wire Capable	Yes
Keying to Mating Part	Yes
Lock to Mating Part	Yes
Material - Metal	Brass
Material - Plating Mating	Tin
Material - Plating Termination	Tin
Material - Resin	Liquid Crystal Polymer
Net Weight	0.680/g
Number of Rows	1
Orientation	Right Angle
PCB Locator	No
PCB Thickness - Recommended	1.60mm
Packaging Type	Embossed Tape on Reel
Pitch - Mating Interface	2.50mm
Pitch - Termination Interface	2.50mm
Plating min - Mating	0.762µm
Plating min - Termination	0.762µm
Polarized to Mating Part	Yes
Polarized to PCB	No
Temperature Range - Operating	-40° to +105°C
Termination Interface: Style	Surface Mount

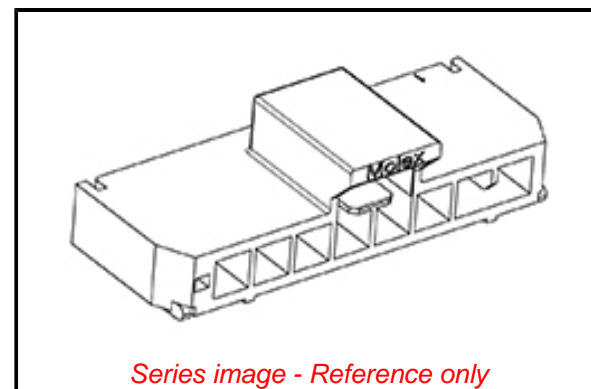
**Electrical**

Current - Maximum per Contact	6.5A
Voltage - Maximum	250V AC (RMS)

**Material Info**

**Reference - Drawing Numbers**

Application Specification	AS-105405-001-001
Packaging Specification	1054301000-PK-000
Product Specification	PS-105405-001-001
Sales Drawing	SD-105430-001-000



Series image - Reference only

**EU ELV**

**Not Relevant**

**EU RoHS**

**Compliant**

**REACH SVHC**

Not Contained Per  
-ED/88/2018 (15  
January 2019)

**Halogen-Free**

**Status**

**Low-Halogen**

For more information, please visit [Contact US](#)

China ROHS

ELV

RoHS Phthalates

**China RoHS**

Green Image

Not Relevant

Not Contained

**Search Parts in this Series**

[105430 Series](#)

**Mates With**

Nano-Fit Receptacle Housing [105307](#)

**Use With**

Nano-Fit Crimp Terminal [105300](#)

This document was generated on 03/01/2019

**PLEASE CHECK [WWW.MOLEX.COM](http://WWW.MOLEX.COM) FOR LATEST PART INFORMATION**