



12500 TI Boulevard, MS 8640, Dallas, Texas 75243

PCN#20181205001.0

**Pin One Dot Symbolization change – Adding Pin One Dot for Select SC70, SOT-23,
and SOT-223 Devices
Information Only**

Date: January 07, 2019
To: PREMIER FARNELL PCN

Dear Customer:

This is an information-only announcement of a change to a device that is currently offered by Texas Instruments.

The changes discussed within this PCN are for your information only. Please see the attachment details for the planned implementation date.

This notification period is per TI's standard process. Any negotiated alternative change requirements will be provided via the customer's defined process. Customers with previously negotiated, special requirements will be handled separately. Any inquiries should be directed to your local Field Sales Representative.

For questions regarding this notice, contact your local Field Sales Representative or the PCN Manager (PCN_ww_admin_team@list.ti.com).

Sincerely,

PCN Team
SC Business Services

20181205001.0
Attachment: 1

Products Affected:

The devices listed on this page are a subset of the complete list of affected devices. According to our records, these are the devices that you have purchased within the past twenty-four (24) months. The corresponding customer part number is also listed, if available.

DEVICE	CUSTOMER PART NUMBER
LM1117IMP-5.0/NOPB	null
LM1117MP-3.3/NOPB	null
LM2731YMF/NOPB	null
LM2831XMF/NOPB	null
LM2936MP-3.0/NOPB	null
LM2936MP-5.0/NOPB	null
LM2937IMP-12/NOPB	null
LM2937IMPX-15/NOPB	null
LM2940IMP-5.0/NOPB	null
LM2940IMP-9.0/NOPB	null
LM317EMP/NOPB	null
LM3480IM3-12/NOPB	null
LM3671MF-3.3/NOPB	null
LM3940IMP-3.3/NOPB	null
LM4040AIM3-10.0/NOPB	null
LM4040BIM7-2.5/NOPB	null
LM4040CIM3-4.1/NOPB	null
LM4050AIM3-2.5/NOPB	null
LM4051BIM3-ADJ/NOPB	null
LM4120AIM5-2.5/NOPB	null
LM50CIM3/NOPB	null
LM60BIM3/NOPB	null
LM7301IM5/NOPB	null
LMC7111BIM5X/NOPB	null
LMH6624MF/NOPB	null
LMH6642MF/NOPB	null
LMP7701MF/NOPB	null
LMR62014XMF/NOPB	null
LMS8117AMP-3.3/NOPB	null
LMV321M5/NOPB	null
LMV431AIME/NOPB	null
LMV651MF/NOPB	null
LMV841MG/NOPB	null
LP2981AIM5-3.3/NOPB	null
LP2981IM5-3.3/NOPB	null
LP2985AIM5-3.3/NOPB	null
LP2985AIM5-5.0/NOPB	null
LP2985IM5-3.0/NOPB	null
LP2992AIM5-3.3/NOPB	null
LP38692MP-5.0/NOPB	null
LP3961EMP-3.3/NOPB	null
LP3964EMP-2.5/NOPB	null
LP5907MFX-3.3/NOPB	null

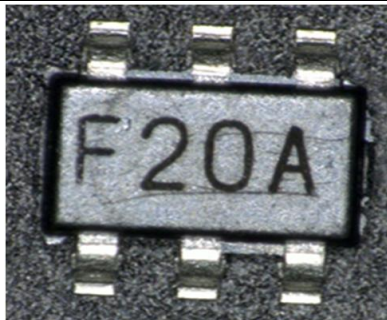
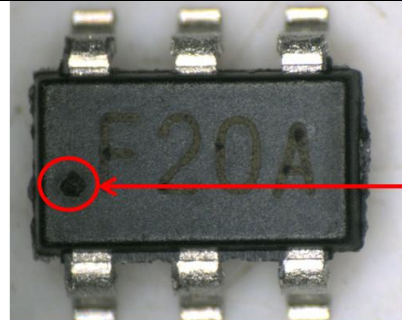

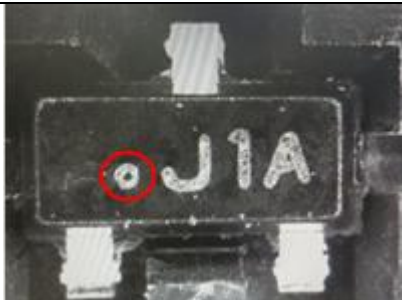
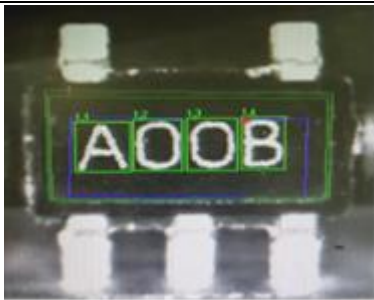

Technical details of this Product Change follow on the next page(s).

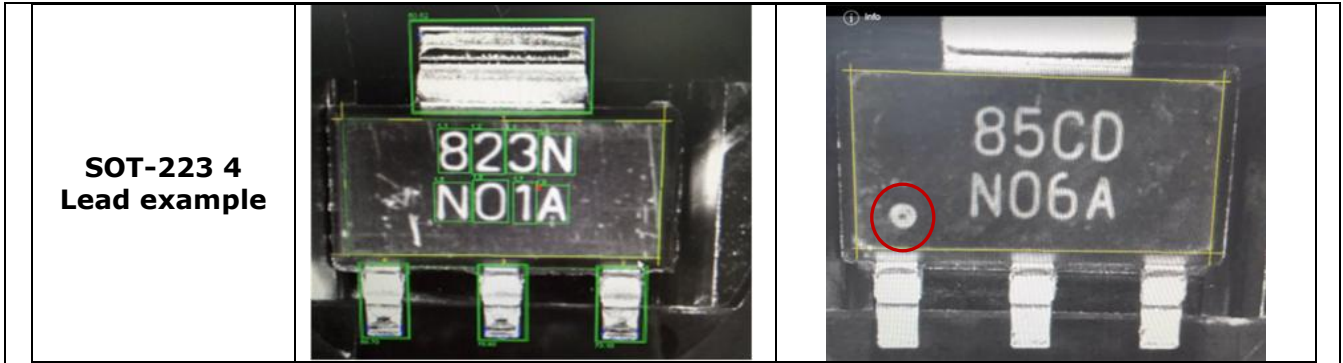
PCN Number:	20181205001	PCN Date:	Jan. 7, 2019
Title:	Pin One Dot Symbolization change – Adding Pin One Dot for Select SC70, SOT-23, and SOT-223 Devices		
Customer Contact:	PCN Manager	Dept:	Quality Services
Change Type:			
<input type="checkbox"/>	Assembly Site	<input type="checkbox"/>	Assembly Process
<input type="checkbox"/>	Design	<input type="checkbox"/>	Datasheet
<input type="checkbox"/>	Test Site	<input checked="" type="checkbox"/>	Packing/Shipping/Labeling
<input type="checkbox"/>	Wafer Bump Site	<input type="checkbox"/>	Wafer Bump Material
<input type="checkbox"/>	Wafer Fab Site	<input type="checkbox"/>	Wafer Fab Materials
<input type="checkbox"/>		<input type="checkbox"/>	Part number change
<input type="checkbox"/>		<input type="checkbox"/>	Assembly Materials
<input type="checkbox"/>		<input type="checkbox"/>	Mechanical Specification
<input type="checkbox"/>		<input type="checkbox"/>	Test Process
<input type="checkbox"/>		<input type="checkbox"/>	Wafer Bump Process
<input type="checkbox"/>		<input type="checkbox"/>	Wafer Fab Process

PCN Details

Description of Change:

This letter is to inform of the addition of a Pin One dot in the devices symbolization of select SC70, SOT-23, and SOT-223 Devices:

	Current Symbolization (No Pin One Dot)	New Symbolization (With Pin One Dot)
SC70 Example		
SOT-23 3 Lead example		
SOT-23 5 Lead example		



Reason for Change:

Standardization

Anticipated impact on Fit, Form, Function, Quality or Reliability (positive / negative):

None

Changes to product identification resulting from this PCN:

Device symbolization

Product Affected:

For affected devices, see page 2

For questions regarding this notice, e-mails can be sent to the regional contacts shown below or your local Field Sales Representative.

Location	E-Mail
USA	PCNAmericasContact@list.ti.com
Europe	PCNEuropeContact@list.ti.com
Asia Pacific	PCNAsiaContact@list.ti.com
Japan	PCNJapanContact@list.ti.com