



12500 TI Boulevard, MS 8640, Dallas, Texas 75243

**PCN#20181205001.0**

**Pin One Dot Symbolization change – Adding Pin One Dot for Select SC70, SOT-23,  
and SOT-223 Devices  
Information Only**

**Date:** January 07, 2019  
**To:** PREMIER FARNELL PCN

Dear Customer:

This is an information-only announcement of a change to a device that is currently offered by Texas Instruments.

The changes discussed within this PCN are for your information only. Please see the attachment details for the planned implementation date.

This notification period is per TI's standard process. Any negotiated alternative change requirements will be provided via the customer's defined process. Customers with previously negotiated, special requirements will be handled separately. Any inquiries should be directed to your local Field Sales Representative.

For questions regarding this notice, contact your local Field Sales Representative or the PCN Manager ([PCN\\_ww\\_admin\\_team@list.ti.com](mailto:PCN_ww_admin_team@list.ti.com)).

Sincerely,

PCN Team  
SC Business Services

**20181205001.0**  
**Attachment: 1**

**Products Affected:**

The devices listed on this page are a subset of the complete list of affected devices. According to our records, these are the devices that you have purchased within the past twenty-four (24) months. The corresponding customer part number is also listed, if available.

<b>DEVICE</b>	<b>CUSTOMER PART NUMBER</b>
LM317EMP/NOPB	null

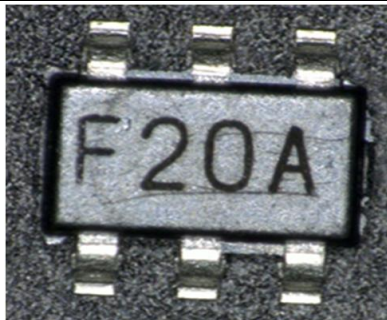
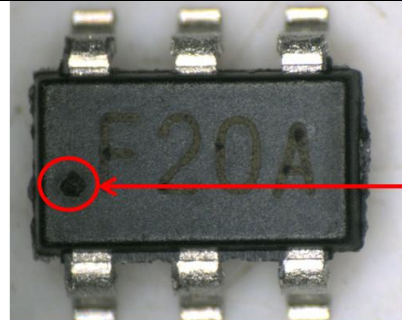

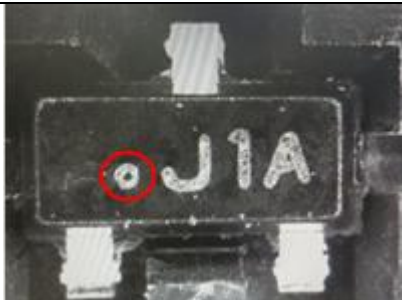
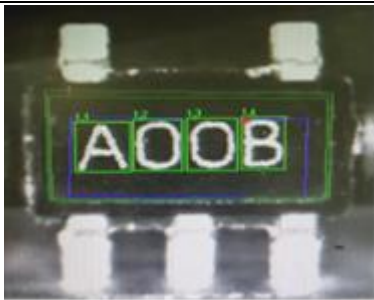

Technical details of this Product Change follow on the next page(s).

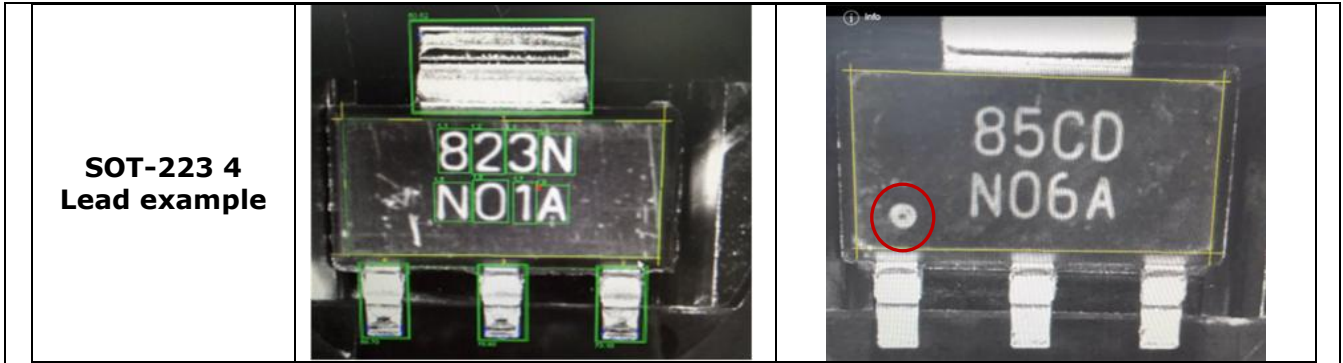
<b>PCN Number:</b>	20181205001	<b>PCN Date:</b>	Jan. 7, 2019
<b>Title:</b>	Pin One Dot Symbolization change – Adding Pin One Dot for Select SC70, SOT-23, and SOT-223 Devices		
<b>Customer Contact:</b>	<a href="#">PCN Manager</a>	<b>Dept:</b>	Quality Services
<b>Change Type:</b>			
<input type="checkbox"/>	Assembly Site	<input type="checkbox"/>	Assembly Process
<input type="checkbox"/>	Design	<input type="checkbox"/>	Datasheet
<input type="checkbox"/>	Test Site	<input checked="" type="checkbox"/>	Packing/Shipping/Labeling
<input type="checkbox"/>	Wafer Bump Site	<input type="checkbox"/>	Wafer Bump Material
<input type="checkbox"/>	Wafer Fab Site	<input type="checkbox"/>	Wafer Fab Materials
<input type="checkbox"/>		<input type="checkbox"/>	Part number change
<input type="checkbox"/>		<input type="checkbox"/>	Assembly Materials
<input type="checkbox"/>		<input type="checkbox"/>	Mechanical Specification
<input type="checkbox"/>		<input type="checkbox"/>	Test Process
<input type="checkbox"/>		<input type="checkbox"/>	Wafer Bump Process
<input type="checkbox"/>		<input type="checkbox"/>	Wafer Fab Process

### PCN Details

#### Description of Change:

This letter is to inform of the addition of a Pin One dot in the devices symbolization of select SC70, SOT-23, and SOT-223 Devices:

	Current Symbolization (No Pin One Dot)	New Symbolization (With Pin One Dot)
<b>SC70 Example</b>		
<b>SOT-23 3 Lead example</b>		
<b>SOT-23 5 Lead example</b>		



**Reason for Change:**

Standardization

**Anticipated impact on Fit, Form, Function, Quality or Reliability (positive / negative):**

None

**Changes to product identification resulting from this PCN:**

Device symbolization

**Product Affected:**

For affected devices, see page 2

For questions regarding this notice, e-mails can be sent to the regional contacts shown below or your local Field Sales Representative.

<b>Location</b>	<b>E-Mail</b>
USA	<a href="mailto:PCNAmericasContact@list.ti.com">PCNAmericasContact@list.ti.com</a>
Europe	<a href="mailto:PCNEuropeContact@list.ti.com">PCNEuropeContact@list.ti.com</a>
Asia Pacific	<a href="mailto:PCNAsiaContact@list.ti.com">PCNAsiaContact@list.ti.com</a>
Japan	<a href="mailto:PCNJapanContact@list.ti.com">PCNJapanContact@list.ti.com</a>