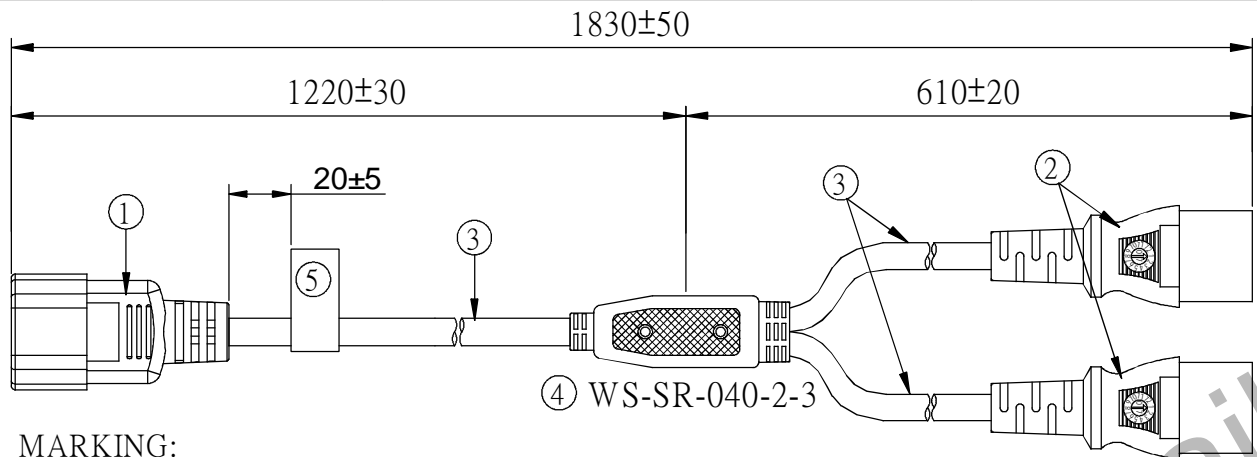
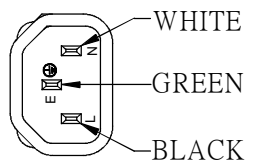


CUSTOMER: P/N: 0200.072 REV. APPROVED BY:

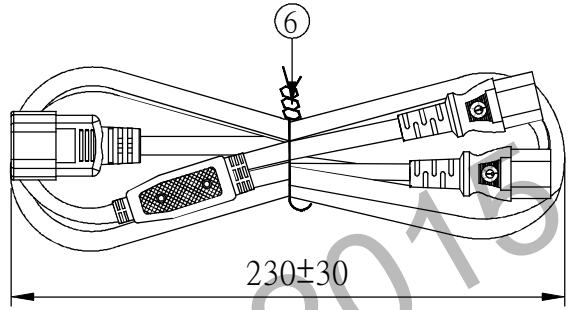
REVISIONS		
REV.	DESCRIPTION	DATE
△		07.04.05
△		2010.01.22
△		2011.02.26
△		2011/11/23
△		2012/06/28
△		2013/08/15
△		2013/12/19
△	UPDATE PRINT HEAD	2015/08/17



MARKING:
 WELL SHIN®
 WS-003
 13A 250V~
 E115330
 cULus



IEC-60320-C14

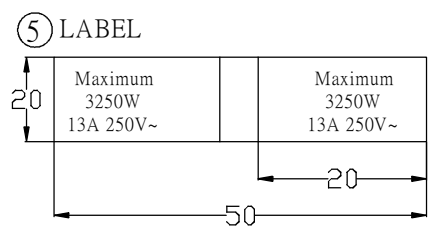


MARKING:
 WELL SHIN®
 WS-002
 13A 250V~
 E115330
 BLACK
 GREEN
 WHITE

IEC-60320-C13 x 2

NOTES:

1. CHANGHUA PRODUCTION OF WIRE ROD HAVE CSA SAFETY CHANGHUA START OF PRODUCTION ISSUED BY THE "G EDITION"
2. RoHS



⑥	Cable tie	BLACK	1
⑤	LABEL	---	1
④	WS-SR-040-2-3	BLACK	1
③	SJTW 16AWG 3C 105°C	APPROVAL : UL,C-UL(CSA)	BLACK 3
②	WS-002 13 (A) 250 (V)	APPROVAL : UL,C-UL	BLACK 2
①	WS-003 13 (A) 250 (V)	APPROVAL : UL,C-UL	BLACK 1
ITEM	DESCRIPTION	COLOR	Q'TY

SIGNATURE		QUAIL ELECTRONICS, INC. http://www.quail.com	
SAFETY ENGINEER:			
MANAGER BY:		PRODUCT NO.: 003+002-1*2	DATE: 2015/08/18
CHECKED BY:		UNIT: mm	SHEET: 1 OF 1
DRAWN BY:		DWG NO: 0096-0282	
			REV. L