

PLEASE CHECK WWW.MOLEX.COM FOR LATEST PART INFORMATION

Part Number: [0685031602](#)
Status: **Active**
Description: 4.00mm Pitch, OBD-II Wire-to-Wire Male Housing, 16 Circuits

Documents:

Drawing (PDF)	Packaging Specification PK-68504-001 (PDF)
Product Specification PS-68503-001-001 (PDF)	Packaging Specification PK-68505-001 (PDF)
Packaging Specification PK-68503-001 (PDF)	RoHS Certificate of Compliance (PDF)

General

Product Family	Crimp Housings
Series	68503
Application	Power, Wire-to-Wire
Product Name	OBD-II
UPC	756054305683

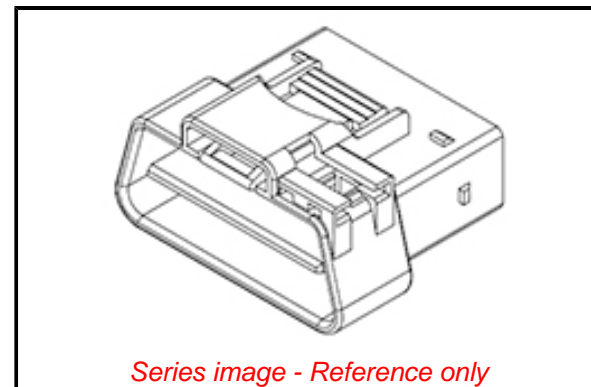
Physical

Circuits (maximum)	16
Color - Resin	Black
Gender	Plug
Glow-Wire Capable	No
Keying to Mating Part	None
Lock to Mating Part	Yes
Material - Resin	Polyester
Net Weight	9.480/g
Number of Rows	2
Packaging Type	Bag
Panel Mount	No
Pitch - Mating Interface	4.00mm
Stackable	No
Temperature Range - Operating	-10° to +85°C

Material Info

Reference - Drawing Numbers

Packaging Specification	PK-68503-001, PK-68504-001, PK-68505-001
Product Specification	PS-68503-001-001
Sales Drawing	SD-68503-004



EU ELV

Compliant

EU RoHS

Compliant

REACH SVHC

Not Contained Per
-ED/88/2018 (15
January 2019)

Halogen-Free

Status

Low-Halogen

For more information, please visit [Contact US](#)

China ROHS

ELV

RoHS Phthalates

China RoHS

Green Image

Compliant

Not Contained

Search Parts in this Series

[68503 Series](#)

Mates With

OBD-II Receptacle Housings [511151601](#) ,
[511161601](#)

Use With

OBD-II Male Terminal [579649702](#)